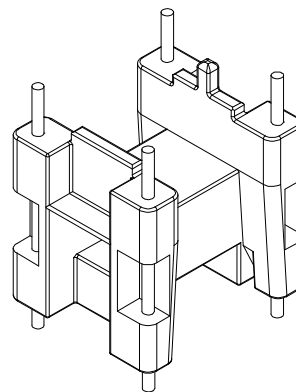
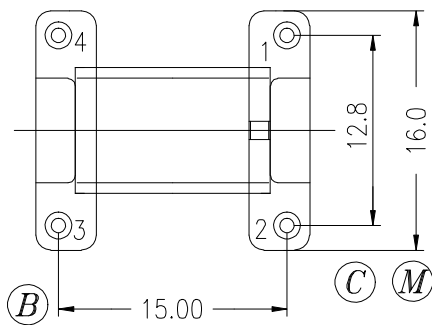
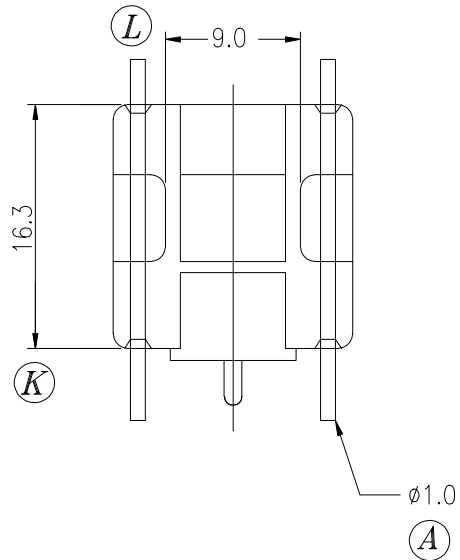
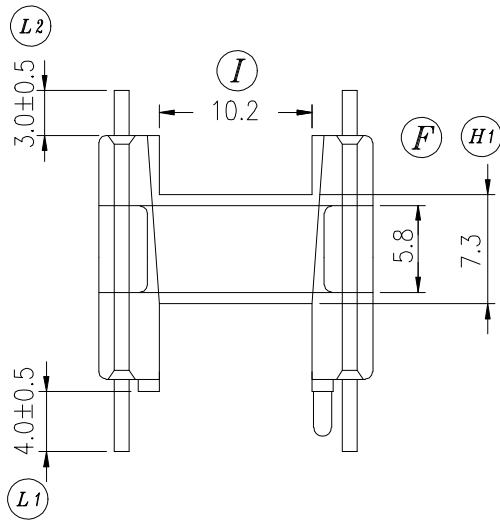
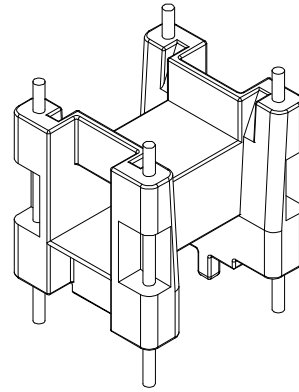
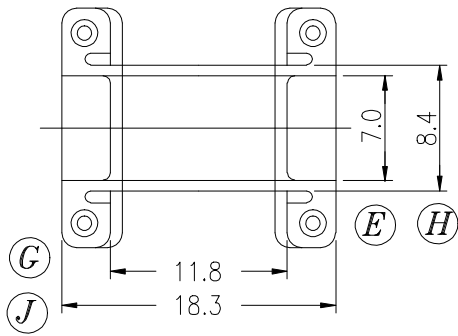


ZX-15.7F



REV.	REVISIONS REC.		DATE	REV.	REVISIONS REC.		DATE
1				4			
2				5			
3				6			
DRAWN & DRAFTED BY	LIU WEI QIANG		TOLERANCES	ANGLE:	TITLE: UU-15.7(2+2P)		
CHECKED & APPROVED BY	ZHANG YONG		0<L≤4 ±0.1 4<L≤16 ±0.2 16<L≤63 ±0.3	pin pitch ±0.2	UNIT:	BOBBIN MATERIAL: PHENOLIC	UL REC. UL 94V-0
SCALE:				MM	PIN MATERIAL: CP WIRE	PIN TENSION LOAD: 1.0KG MIN	
DATE: 2007.07.05				DRAWING NO. ZX-15.7F		REV. A01	



智信电子塑胶有限公司

ZHI XIN ELECTRONICS PLASTIC CO., LTD.  
TEL:0769-86389901-2 FAX:0769-86389903

