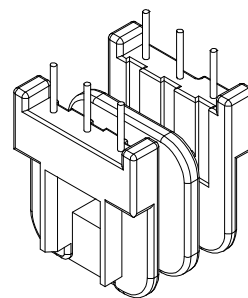
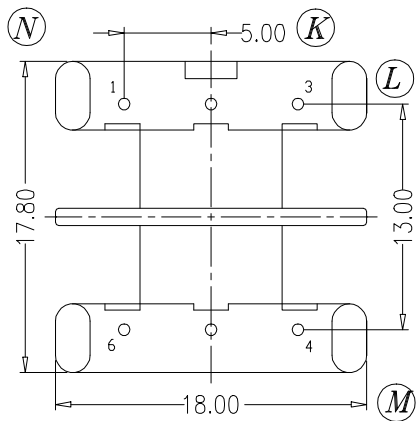
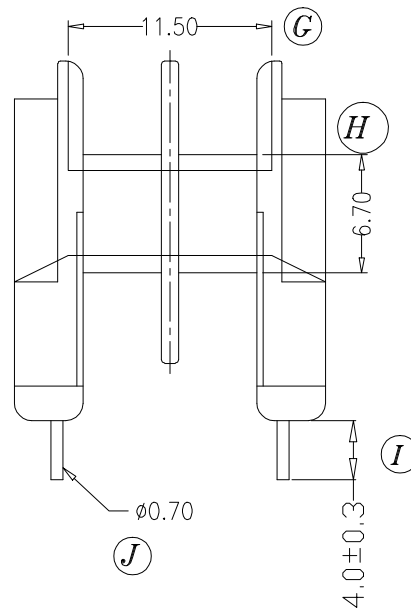
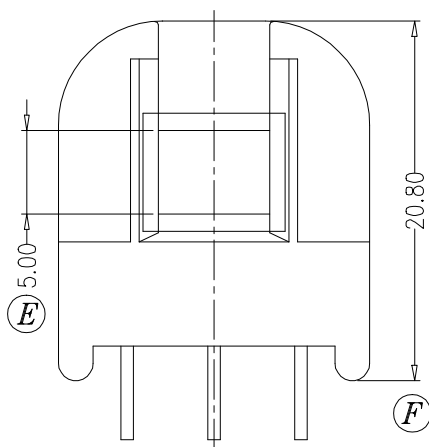
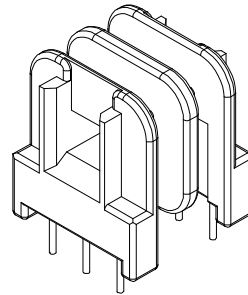
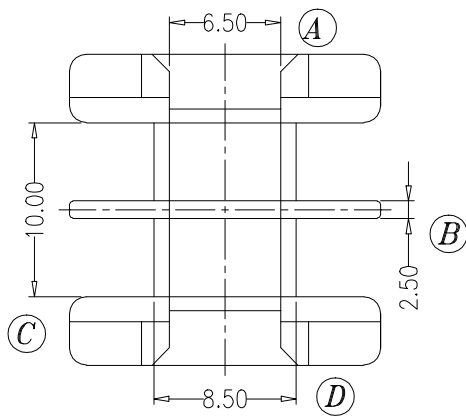


ZX-15.7B2



REV.	REVISIONS REC.		DATE	REV.	REVISIONS REC.		DATE	
1				4				
2				5				
3				6				
DRAWN & DRAFTED BY		LIU WEI QIANG	TOLERANCES		ANGLE: ±1°			TITLE: UU-15.7(3+3P)2S
CHECKED & APPROVED BY		MA BU JIAN	0<L≤4 ±0.1	pin pitch ±0.2	UNIT: MM		BOBBIN MATERIAL: PHENOLIC	UL REC. UL 94V-0
			4<L≤16 ±0.2		SCALE:		PIN MATERIAL: CP WIRE	PIN TENSION LOAD: 1.0KG MIN.
			16<L≤63 ±0.3	DATE: 2016.06.15		DRAWING NO. ZX-15.7B2	REV. A01	



智信电子塑胶有限公司

ZHI XIN ELECTRONICS PLASTIC CO., LTD.  
TEL:0769-86389901-2 FAX:0769-86389903

