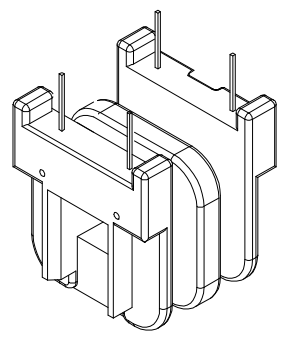
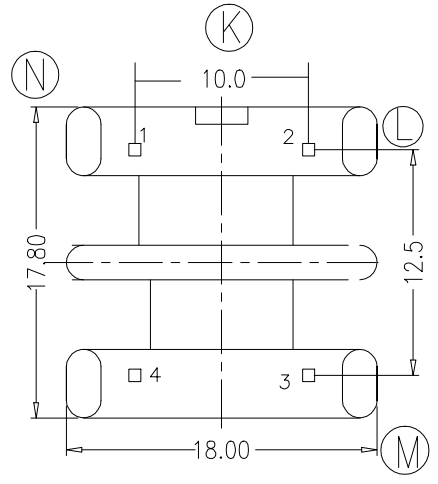
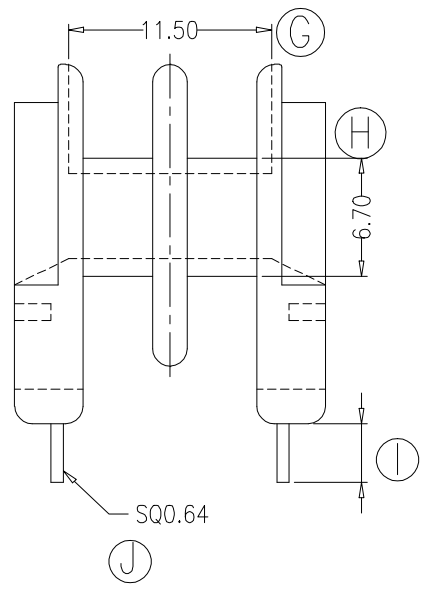
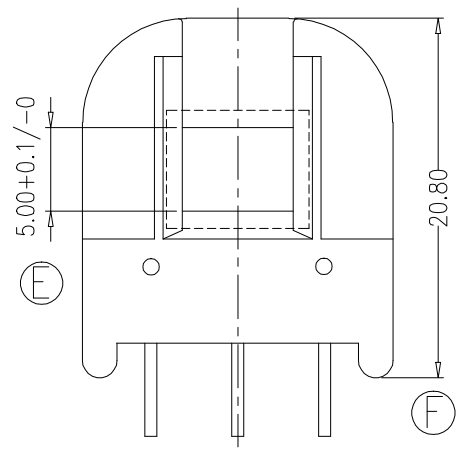
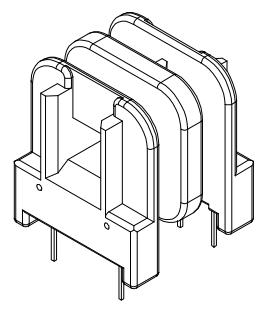
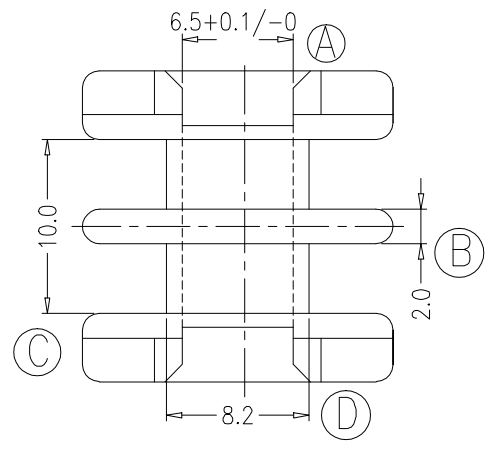


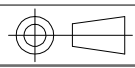
ZX-15.7B1



REV.	REVISIONS REC.		DATE	REV.	REVISIONS REC.		DATE
1				4			
2				5			
3				6			
DRAWN & DRAFTED BY		LIU WEI QIANG		TOLERANCES		ANGLE: $\pm 1^\circ$	
CHECKED & APPROVED BY		MA BU JIAN		0 < L ≤ 4 ±0.1		pin pitch	
				4 < L ≤ 16 ±0.2		UNIT: MM	
				16 < L ≤ 63 ±0.3		TITLE: UU-15.7(2+2P)2S	
				SCALE:		BOBBIN MATERIAL: PBT	
				DATE: 2008.09.12		UL REC. UL 94V-0	
				DRAWING NO. ZX-15.7B1		PIN TENSION LOAD: 1.0kg MIN.	
				REV. A01			



智信电子塑胶有限公司
ZHI XIN ELECTRONICS PLASTIC CO., LTD.
 TEL:0769-86389901-2 FAX:0769-86389903



DATE: 2008.09.12

DRAWING NO. ZX-15.7B1

REV. A01