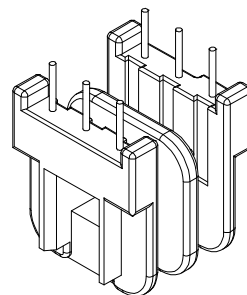
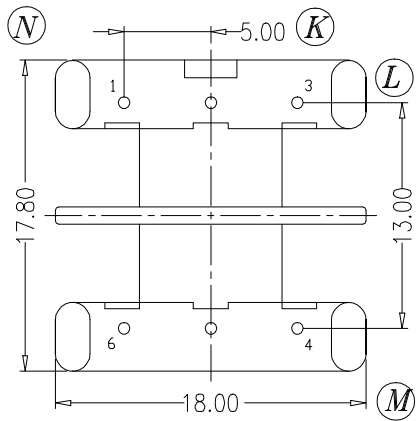
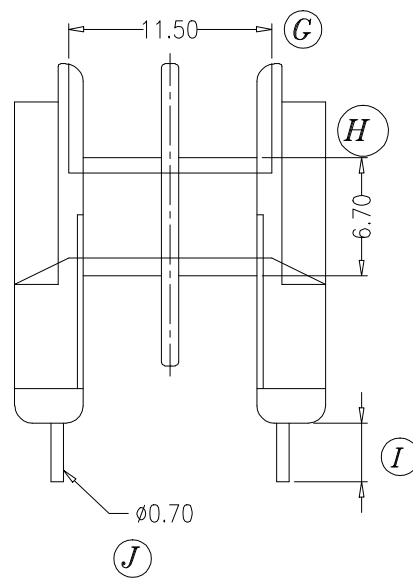
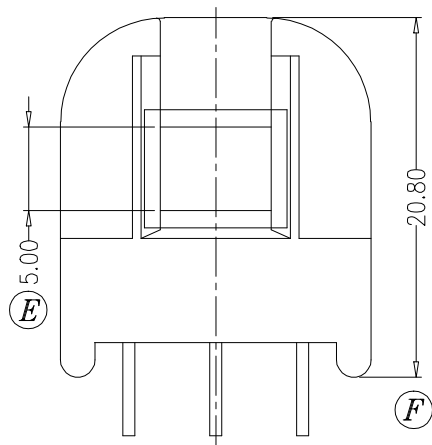
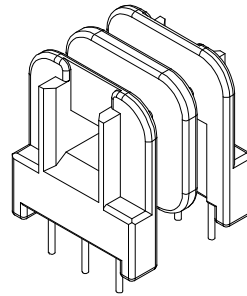
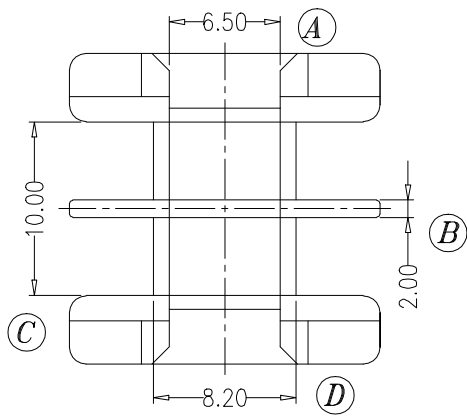


# ZX-15.7B

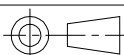


REV.	REVISIONS	REC.	DATE	REV.	REVISIONS	REC.	DATE
1				4			
2				5			
3				6			
DRAWN & DRAFTED BY		LIU WEI QIANG		TOLERANCES		ANGLE: $\pm 1^\circ$	
CHECKED & APPROVED BY		LI JUN		$0 < L \leq 4 \pm 0.1$ $4 < L \leq 16 \pm 0.2$ $16 < L \leq 63 \pm 0.3$		UNIT: MM SCALE:	
TITLE:		UU-15.7(3+3P)2S					
BOBBIN MATERIAL:		PHENOLIC		UL REC.		UL 94V-0	
PIN MATERIAL:		CP WIRE		PIN TENSION LOAD:		1.2kg MIN.	
DATE:		2008.08.23		DRAWING NO.		ZX-15.7B	
REV.		A01					



智信电子塑胶有限公司

ZHI XIN ELECTRONICS PLASTIC CO., LTD.  
 TEL:0769-86389901-2 FAX:0769-86389903



DATE: 2008.08.23

DRAWING NO.

ZX-15.7B

REV. A01