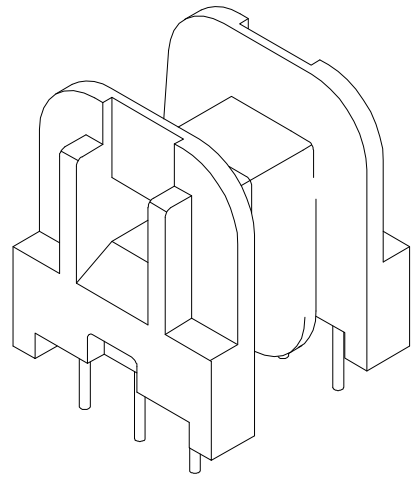
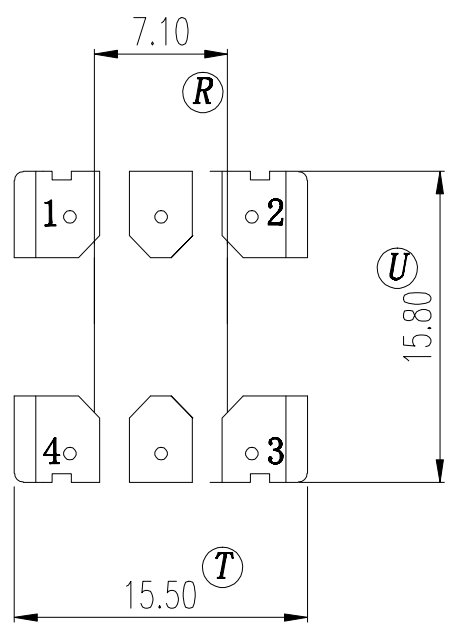
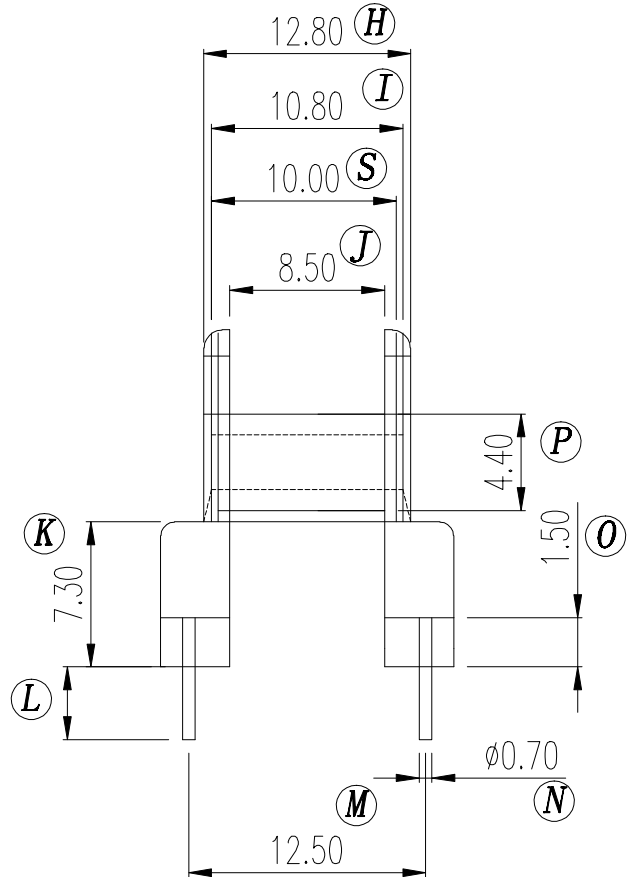
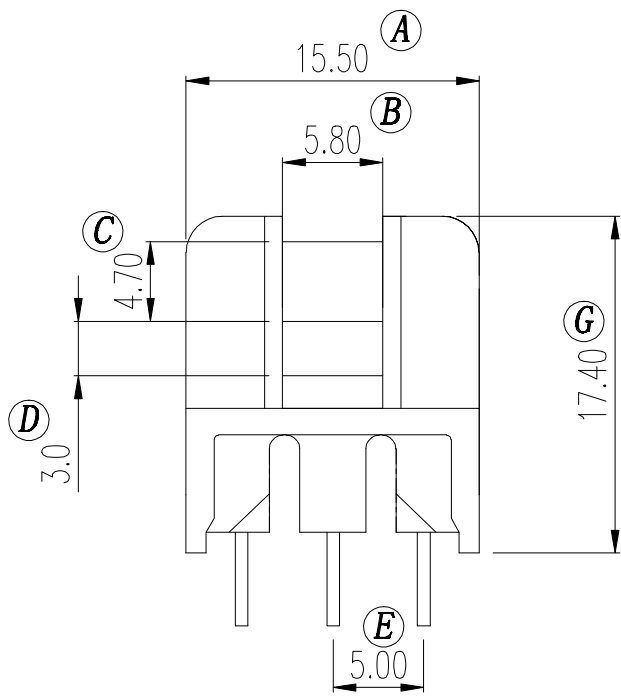


ZX-10.5F



REV.	REVISIONS REC.		DATE	REV.	REVISIONS REC.		DATE
1				4			
2				5			
3				6			
DRAWN & DRAFTED BY		LIU WEI QIANG	TOLERANCES		ANGLE: ±1°		TITLE: UU-10.5(3+3P)
CHECKED & APPROVED BY		MA BU JIAN	0<L≤4 ±0.1	pin pitch	UNIT: MM	BOBBIN MATERIAL: PHENOLIC	UL REC. UL 94V-0
			4<L≤16 ±0.2	±0.2	SCALE:	PIN MATERIAL: CP WIRE	PIN TENSION LOAD: 0.8KG MIN
			16<L≤63 ±0.3		DATE: 2007.05.11	DRAWING NO. ZX-10.5F	REV. A01



**智信电子塑胶有限公司**

ZHI XIN ELECTRONICS PLASTIC CO., LTD.  
TEL:0769-86389901-2 FAX:0769-86389903

