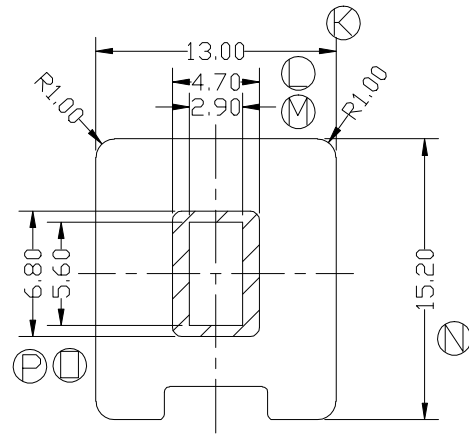
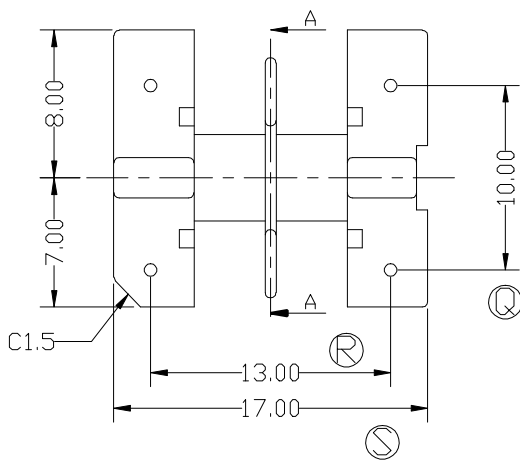
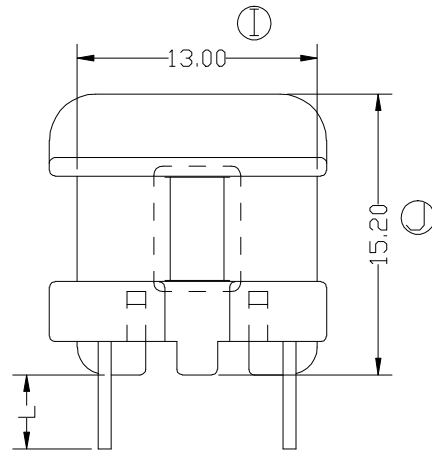
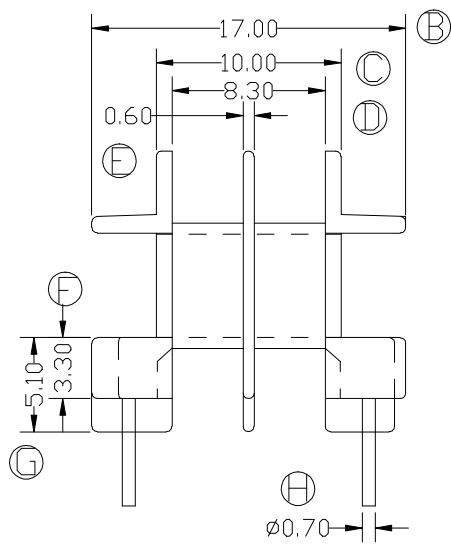
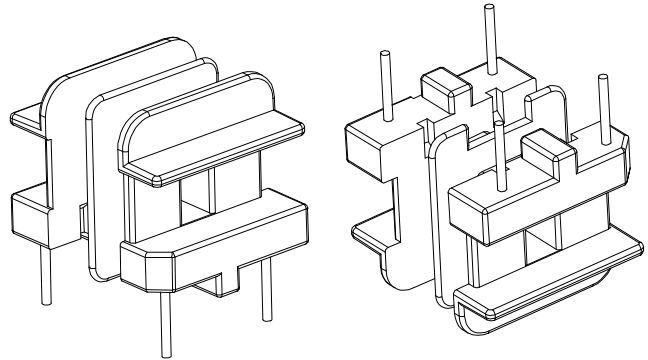
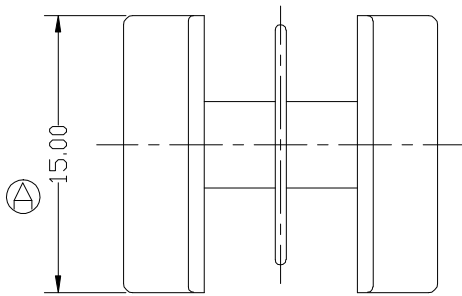


ZX-10.5C4



SECTION A-A

REV.	REVISIONS REC.		DATE	REV.	REVISIONS REC.		DATE
1				4			
2				5			
3				6			
DRAWN & DRAFTED BY		LIU WEI QIANG		TOLERANCES		ANGLE: $\pm 1^\circ$	
CHECKED & APPROVED BY		LI JUN		$0 < L \leq 4 \pm 0.1$ $4 < L \leq 16 \pm 0.2$ $16 < L \leq 63 \pm 0.3$		pin pitch ± 0.2 UNIT: MM SCALE:	
TITLE: UU-10.5(2+2P)2S				BOBBIN MATERIAL: PHENOLIC		UL REC. UL 94V-0	
智信电子塑胶有限公司				PIN MATERIAL: CP WIRE		PIN TENSION LOAD: 1.2KG MIN	
ZHI XIN ELECTRONICS PLASTIC CO., LTD.				DATE: 2011.08.26		DRAWING NO. ZX-10.5C4	
TEL:0769-86389901-2 FAX:0769-86389903				REV. A01			