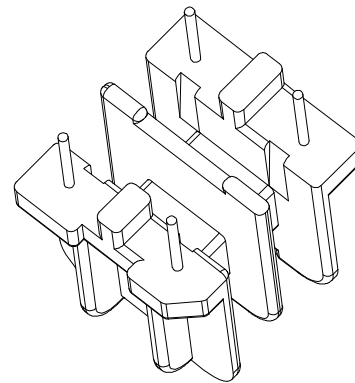
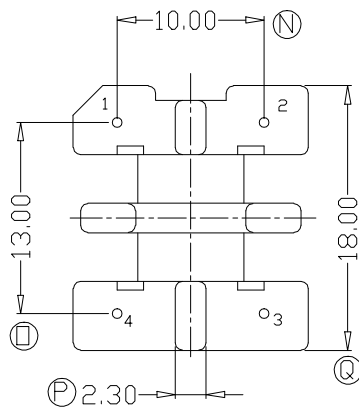
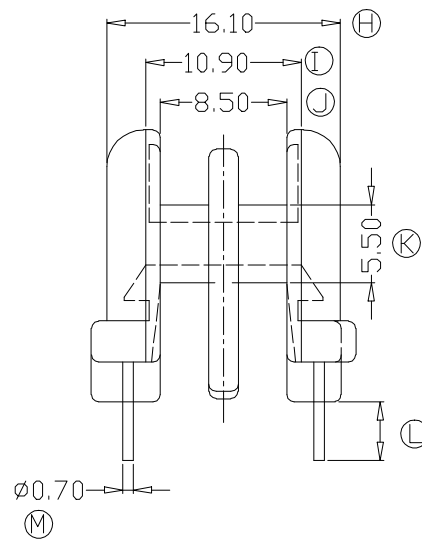
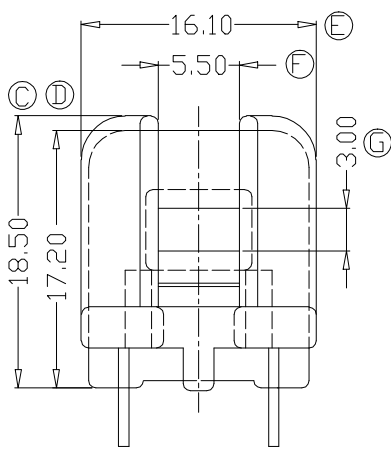
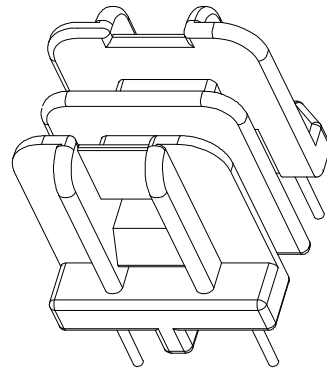
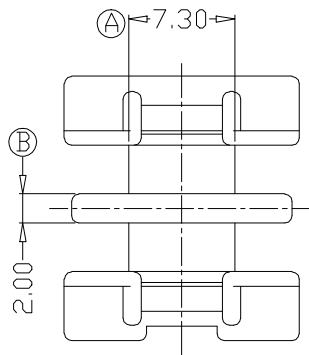


ZX-10.5B



REV.	REVISIONS REC.		DATE	REV.	REVISIONS REC.		DATE
1				4			
2				5			
3				6			
DRAWN & DRAFTED BY	LIU WEI QIANG	TOLERANCES		ANGLE:	TITLE: UU-10.5(2+2P)2S		
CHECKED & APPROVED BY	MA BU JIAN	0<L≤ 4 ±0.1	pin pitch	UNIT:	BOBBIN MATERIAL:	UL REC.	
		4<L≤ 16 ±0.2	±0.2	MM	PHENOLIC	UL 94V-0	
		16<L≤ 63 ±0.3		SCALE:	PIN MATERIAL:	PIN TENSION LOAD:	
					CP WIRE	0.8kg MIN.	
智信电子塑胶有限公司 ZHI XIN ELECTRONICS PLASTIC CO., LTD. TEL:0769-86389901-2 FAX:0769-86389903				DATE:	DRAWING NO.	REV.	
				2004.09.14	ZX-10.5B	A01	