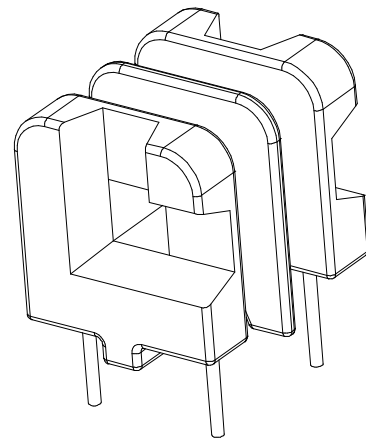
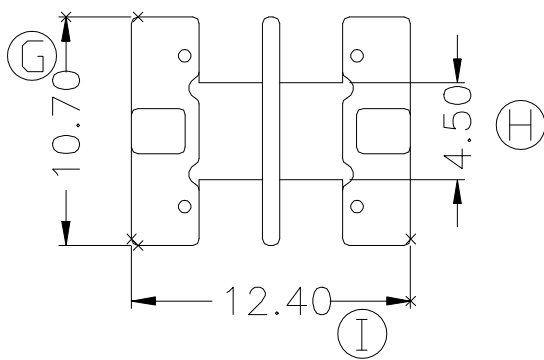
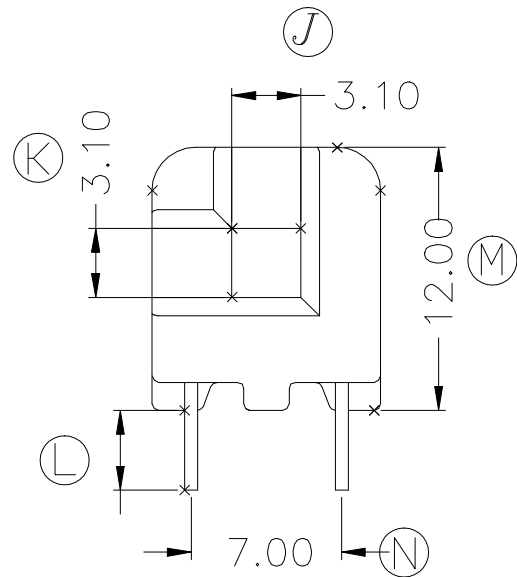
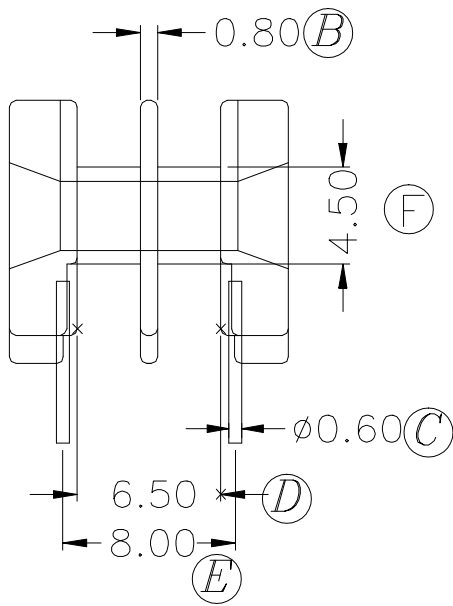
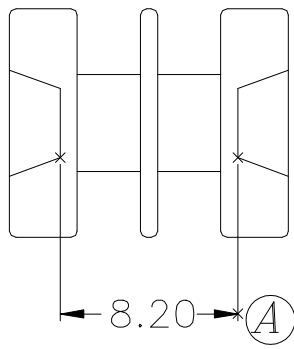


ZX-9.8D



REV.	REVISIONS REC.		DATE	REV.	REVISIONS REC.		DATE
1				4			
2				5			
3				6			
DRAWN & DRAFTED BY		LIU WEI QIANG		TOLERANCES		ANGLE: $\pm 1^\circ$	
CHECKED & APPROVED BY		ZHANG YONG		pin pitch		TITLE: UU-9.8(2+2P)2S	
		0<L≤4 ±0.1		UNIT: MM		BOBBIN MATERIAL: PHENOLIC	
		4<L≤16 ±0.2		SCALE:		UL REC. UL 94V-0	
		16<L≤63 ±0.3		PIN MATERIAL: CP WIRE		PIN TENSION LOAD: 1.0KG MIN	
<b>智信电子塑胶有限公司</b> ZHI XIN ELECTRONICS PLASTIC CO., LTD. TEL:0769-86389901-2 FAX:0769-86389903				DATE: 2018.12.08		DRAWING NO. ZX-9.8D	
						REV. A01	