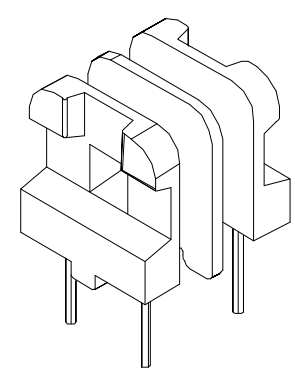
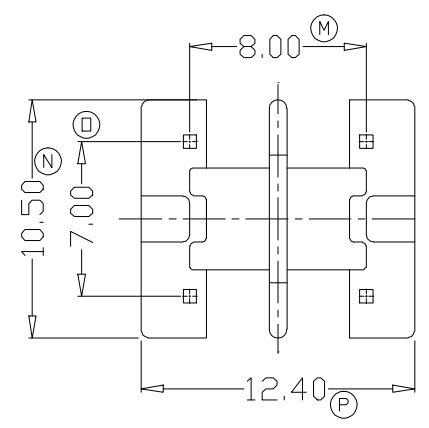
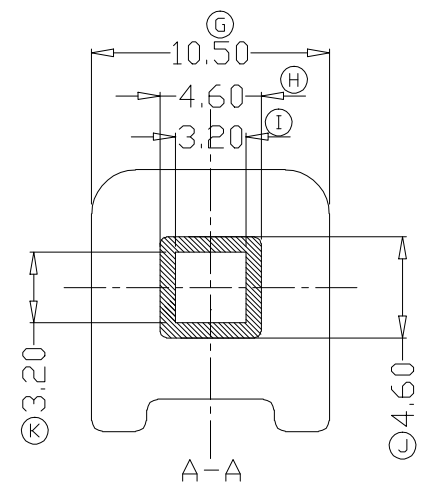
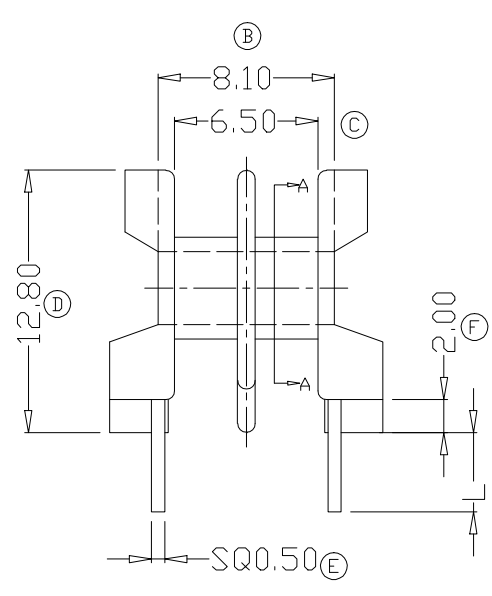
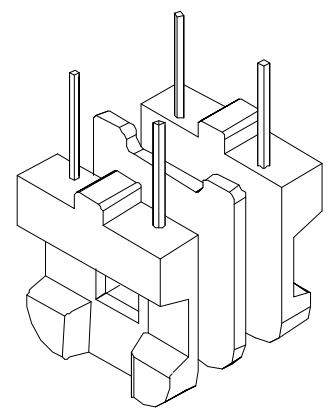
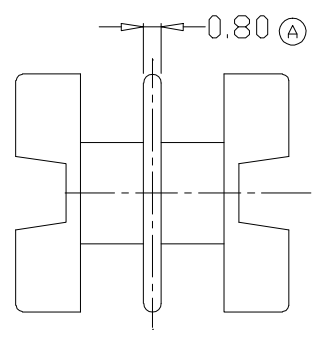


ZX-9.8A1



REV.	REVISIONS REC.		DATE	REV.	REVISIONS REC.		DATE		
1				4					
2				5					
3				6					
DRAWN & DRAFTED BY		LIU WEI QIANG		TOLERANCES		ANGLE: $\pm 1^\circ$		TITLE: UU-9.8(2+2P)2S	
CHECKED & APPROVED BY		LI JUN		$0 < L \leq 4 \pm 0.1$ $4 < L \leq 16 \pm 0.2$ $16 < L \leq 63 \pm 0.3$		pin pitch ± 0.2		UNIT: MM	
				SCALE:		BOBBIN MATERIAL: PHENOLIC		UL REC. UL 94V-0	
						PIN MATERIAL: CP WIRE		PIN TENSION LOAD: 0.8kg MIN.	
				DATE: 2004.09.14		DRAWING NO. ZX-9.8A1		REV. A01	



智信电子塑胶有限公司
ZHI XIN ELECTRONICS PLASTIC CO., LTD.
 TEL: 0769-86389901-2 FAX: 0769-86389903

