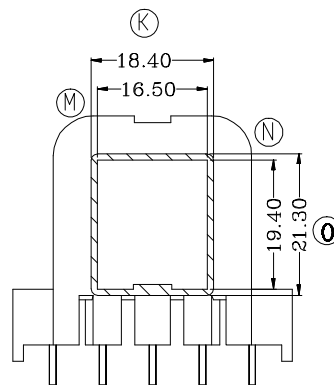
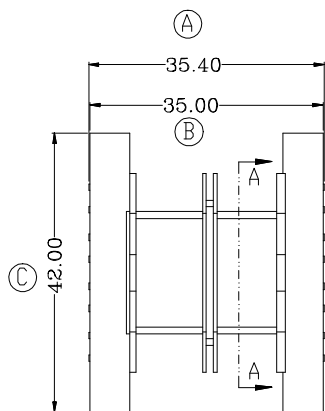
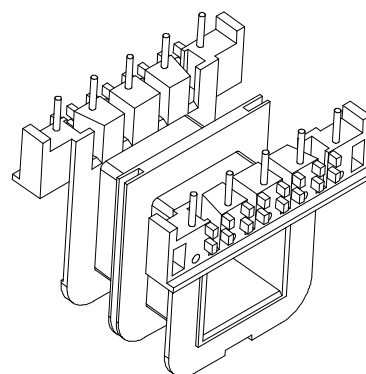
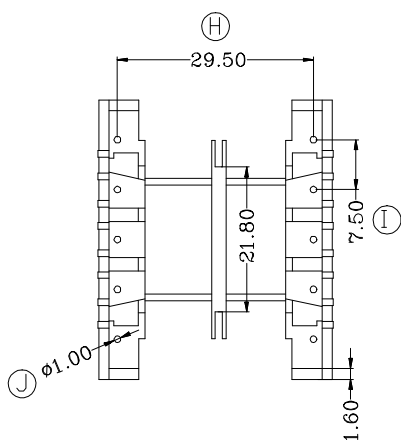
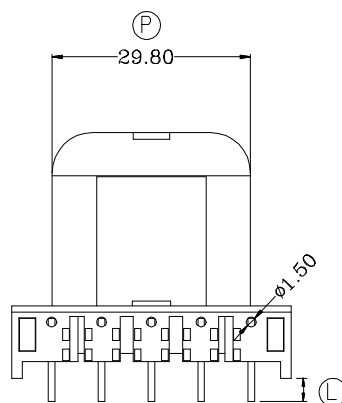
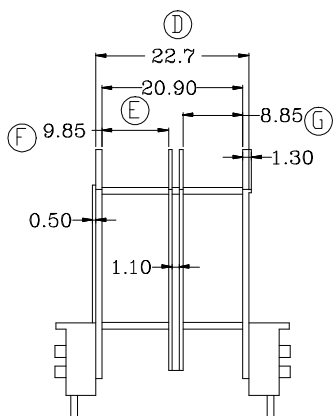



ZX-48B



SECTION A-A



REV.	REVISIONS	REC.	DATE	REV.	REVISIONS	REC.	DATE
1				4			
2				5			
3				6			

DRAWN & DRAFTED BY	LIU WEI QIANG	TOLERANCES		ANGLE: $\pm 1^\circ$	TITLE: EI-48(5+5P)		
		0<L≤4 ±0.1	pin pitch ±0.2		UNIT: MM	BOBBIN MATERIAL: PLASTIC	UL REC. UL 94V-0
CHECKED & APPROVED BY	ZHANG YONG	4<L≤16 ±0.2		SCALE:			
 <b>智信电子塑胶有限公司</b> ZHI XIN ELECTRONICS PLASTIC CO., LTD. TEL:0769-86389901-2 FAX:0769-86389903		DATE: 2018.12.08	DRAWING NO. ZX-48B	REV. A01			