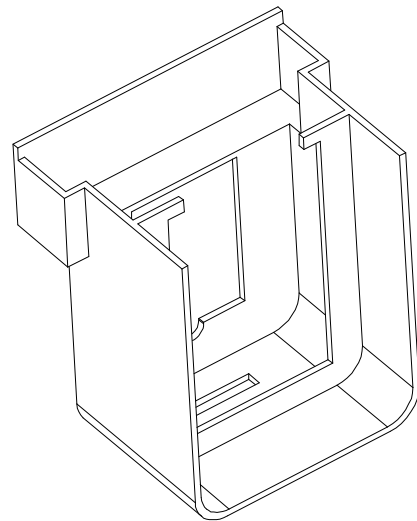
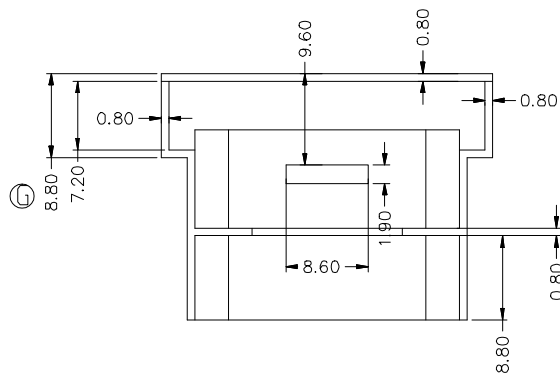
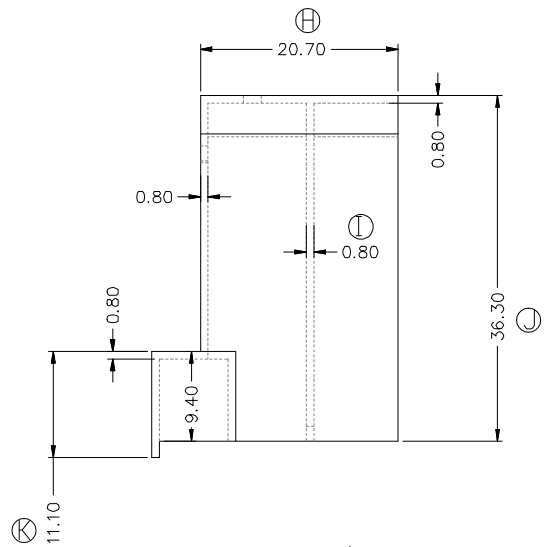
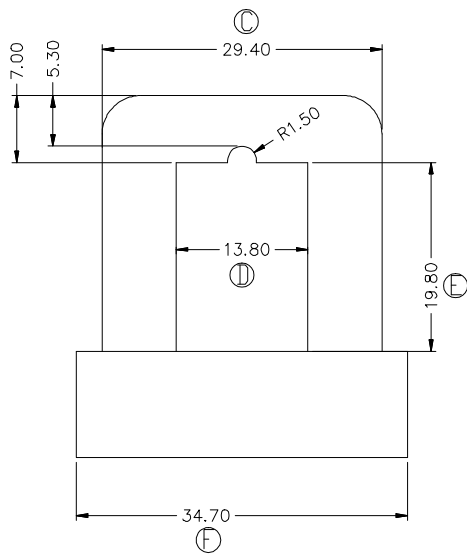
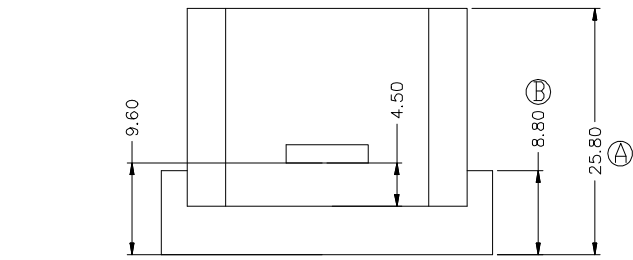


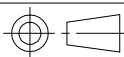
# ZX-48A1



REV.	REVISIONS		REC.	DATE	REV.	REVISIONS		REC.	DATE
1					4				
2					5				
3					6				
DRAWN & DRAFTED BY		LIU WEI QIANG		TOLERANCES		ANGLE:		TITLE: EI-48外壳	
CHECKED & APPROVED BY		ZHANG YONG		0<L≤4 ±0.1		±1°		BOBBIN MATERIAL: PLASTIC	
				4<L≤16 ±0.2		UNIT: MM		UL REC. UL 94V-0	
				16<L≤63 ±0.3		SCALE:		PIN MATERIAL:	
				pin pitch ±0.2				PIN TENSION LOAD:	
						DATE: 2018.12.08		DRAWING NO. ZX-48A1	
								REV. A01	



**智信电子塑胶有限公司**  
**ZHI XIN ELECTRONICS PLASTIC CO., LTD.**  
 TEL:0769-86389901-2 FAX:0769-86389903



DATE: 2018.12.08

DRAWING NO. ZX-48A1

REV. A01