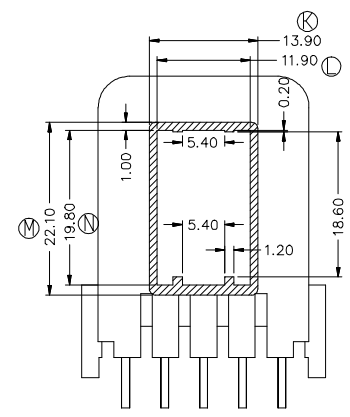
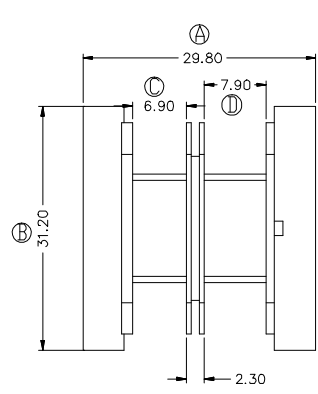
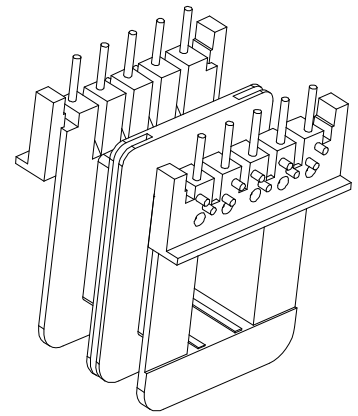
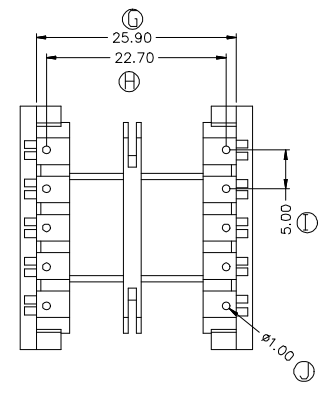
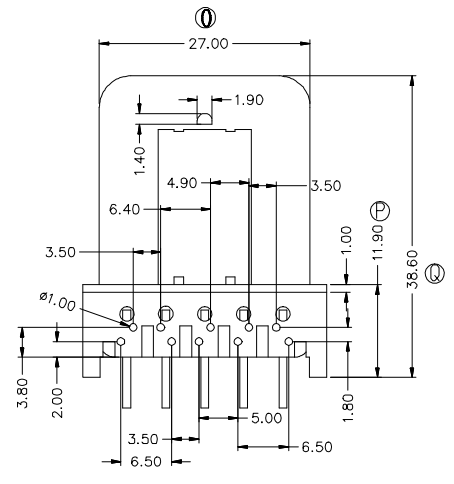
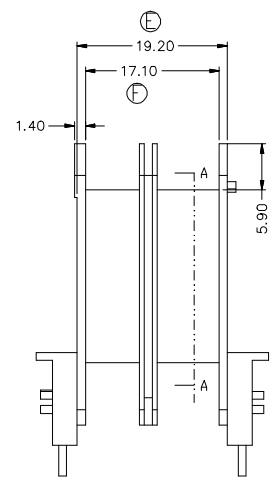
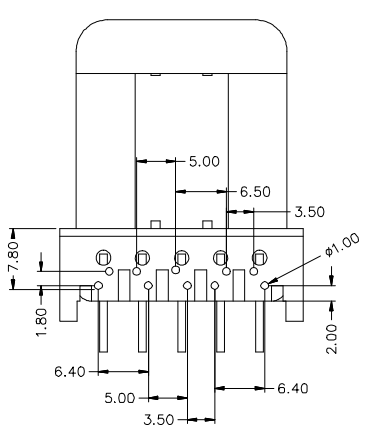


ZX-48A



SECTION A-A



| REV. | REVISIONS | REC. | DATE | REV. | REVISIONS | REC. | DATE | | |
|-----------------------|-----------|---------------|------|---|-----------|-----------------------|------|-----------------------------|--|
| 1 | | | | 4 | | | | | |
| 2 | | | | 5 | | | | | |
| 3 | | | | 6 | | | | | |
| DRAWN & DRAFTED BY | | LIU WEI QIANG | | TOLERANCES | | ANGLE: $\pm 1^\circ$ | | TITLE: EI-48(5+5P) | |
| CHECKED & APPROVED BY | | ZHANG YONG | | $0 < L \leq 4 \pm 0.1$ $4 < L \leq 16 \pm 0.2$ $16 < L \leq 63 \pm 0.3$ | | pin pitch ± 0.2 | | UNIT: MM | |
| | | | | SCALE: | | PIN MATERIAL: CP WIRE | | BOBBIN MATERIAL: PLASTIC | |
| | | | | | | DATE: 2018.12.08 | | UL REC. UL 94V-0 | |
| | | | | | | DRAWING NO. ZX-48A | | PIN TENSION LOAD: 1.5KG MIN | |
| | | | | | | | | REV. A01 | |



智信电子塑胶有限公司
ZHI XIN ELECTRONICS PLASTIC CO., LTD.
 TEL: 0769-86389901-2 FAX: 0769-86389903

