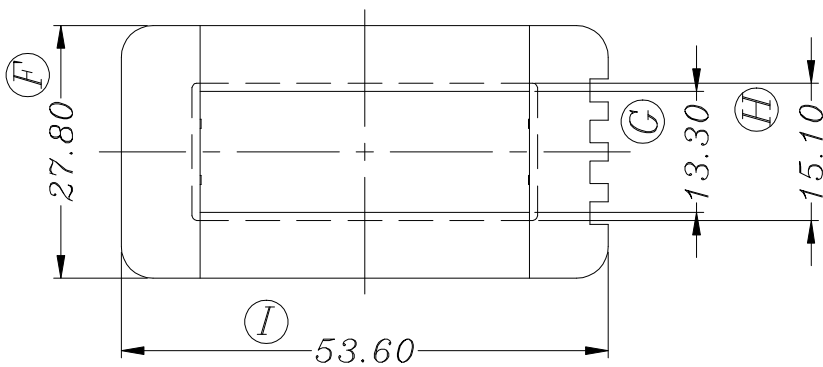
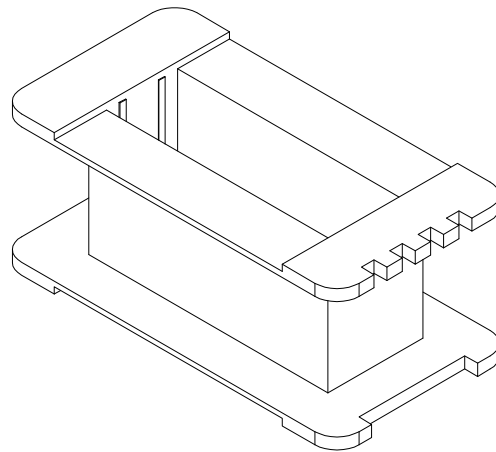
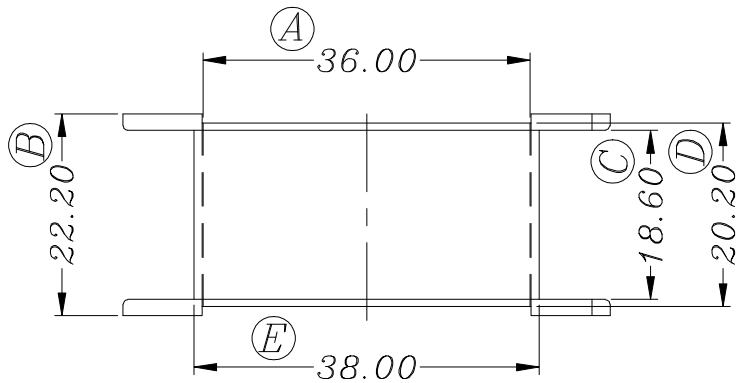


ZX-41C



REV.	REVISIONS	REC.	DATE	REV.	REVISIONS	REC.	DATE
1				4			
2				5			
3				6			
DRAWN & DRAFTED	LUOSHENG	TOLERANCES		ANGLE: $\pm 1^\circ$	TITLE: EI-41 BOBBIN		
CHECKED & APPROVED BY	LINJIANJUN	0<L<4 ± 0.1	pin pitch	UNIT: MM	BOBBIN MATERIAL: PLASTIC	UL REC. UL 94V-0	
		4<L<16 ± 0.2		SCALE:	PIN MATERIAL:	PIN TENSION LOAD:	
		16<L<63 ± 0.3	± 0.2		DATE: 2009.09.01	DRAWING NO. ZX-41C	REV. A01
智信电子塑胶有限公司 ZHI XIN ELECTRONICS PLASTIC CO., LTD. TEL: 0769-86389901-2 FAX: 0769-86389903							