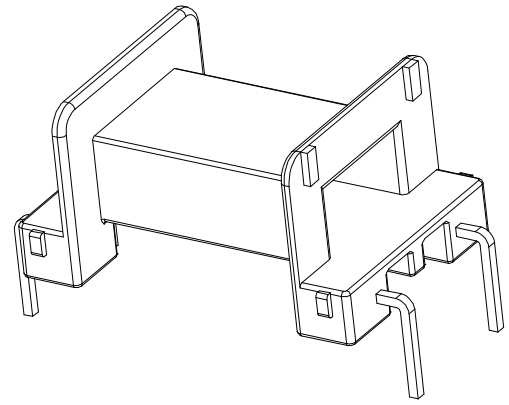
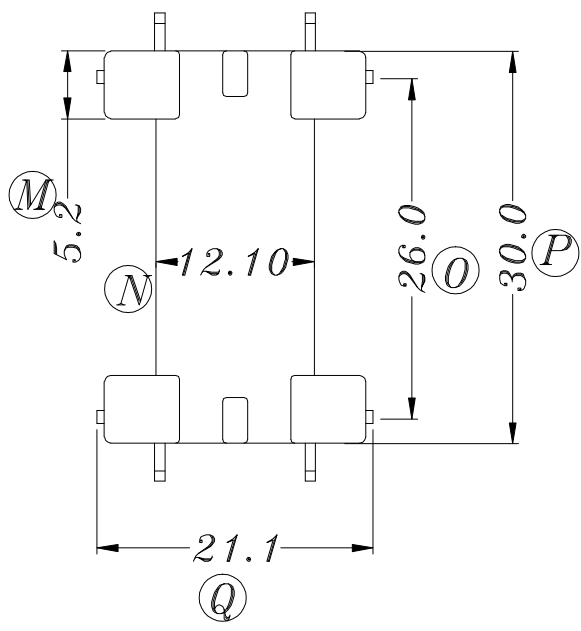
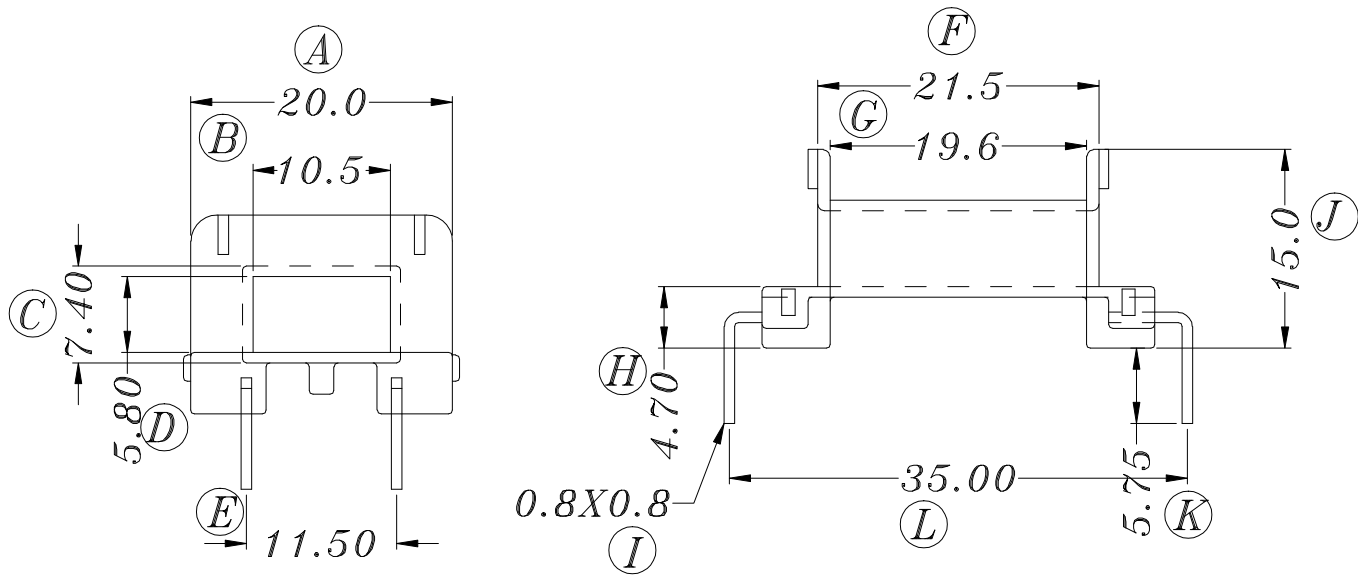


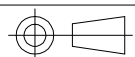
# ZX-41B



REV.	REVISIONS REC.	DATE	REV.	REVISIONS REC.	DATE
1			4		
2			5		
3			6		
DRAWN & DRAFTED BY		LUOSHENG		TITLE: EI-41 (2+2P)	
CHECKED & APPROVED BY		LINJIANJUN		BOBBIN MATERIAL: PHENOLIC	
		TOLERANCES		UL REC. UL 94V-0	
		0<L<4 ±0.1		PIN TENSION LOAD: 0.8KG MIN	
		4<L<16 ±0.2			
		16<L<63 ±0.3			
		pin pitch ±0.2			
		ANGLE: ±1°			
		UNIT: MM			
		SCALE:		PIN MATERIAL: CP WIRE	
		DATE: 2009.09.01		DRAWING NO. ZX-41B	
		REV. A01			



智信电子塑胶有限公司  
 ZHI XIN ELECTRONICS PLASTIC CO., LTD.  
 TEL: 0769-86389901-2 FAX: 0769-86389903



DATE: 2009.09.01

DRAWING NO. ZX-41B

REV. A01