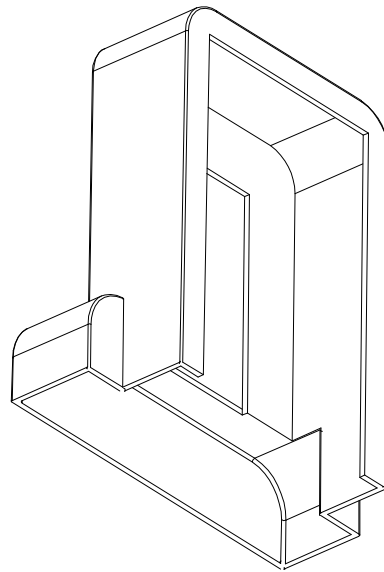
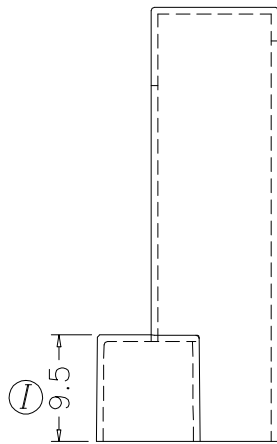
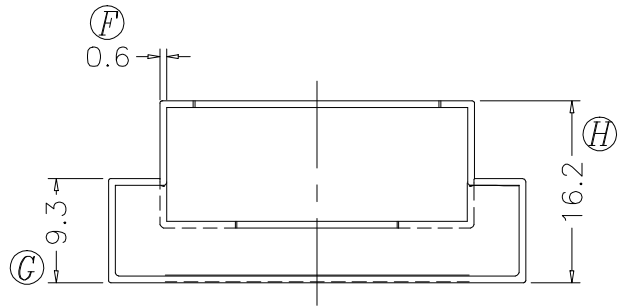
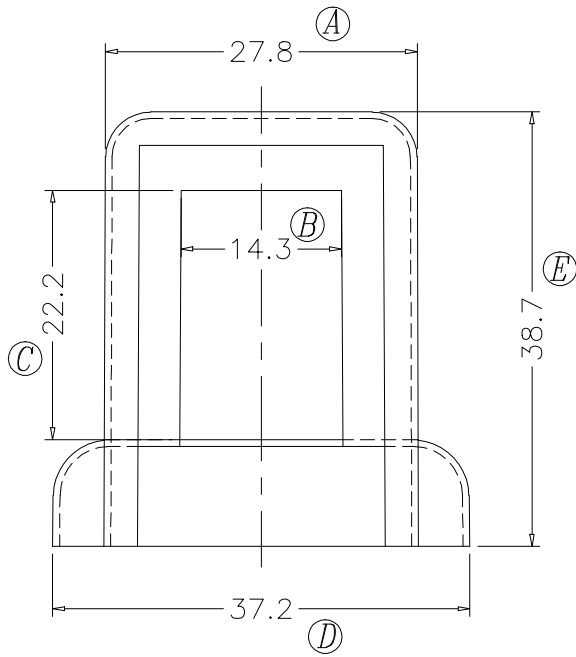


ZX-41A1

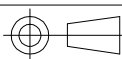


对应的ZX-41A

| REV. | REVISIONS | REC. | DATE | REV. | REVISIONS | REC. | DATE |
|-----------------------|-----------|------------|------|-----------------------------|-----------|---------------------------|------|
| 1 | | | | 4 | | | |
| 2 | | | | 5 | | | |
| 3 | | | | 6 | | | |
| DRAWN & DRAFTED BY | | LUOSHENG | | TOLERANCES | | ANGLE: $\pm 1^\circ$ | |
| CHECKED & APPROVED BY | | LINJIANJUN | | 0<L<4 ± 0.1 pin pitch | | TITLE: EI-41 | |
| | | | | 4<L<16 ± 0.2 | | BOBBIN MATERIAL: PHENOLIC | |
| | | | | 16<L<63 ± 0.3 ± 0.2 | | UL REC. UL 94V-0 | |
| | | | | UNIT: MM | | PIN MATERIAL: | |
| | | | | SCALE: | | PIN TENSION LOAD: | |
| | | | | DATE: 2009.09.01 | | DRAWING NO. ZX-41A1 | |
| | | | | | | REV. A01 | |



智信电子塑胶有限公司
ZHI XIN ELECTRONICS PLASTIC CO., LTD.
TEL: 0769-86389901-2 FAX: 0769-86389903



DATE: 2009.09.01

DRAWING NO. ZX-41A1

REV. A01