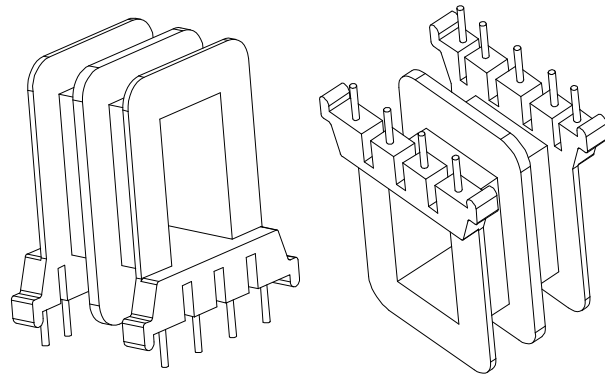
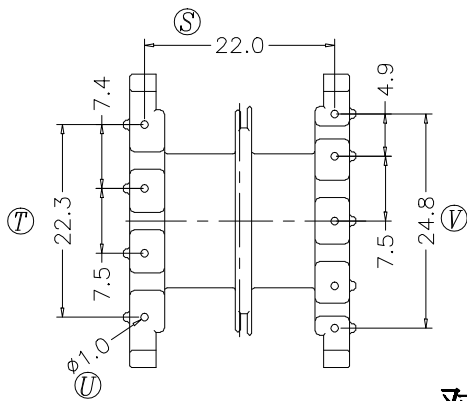
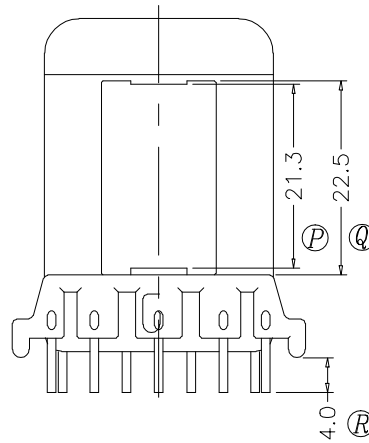
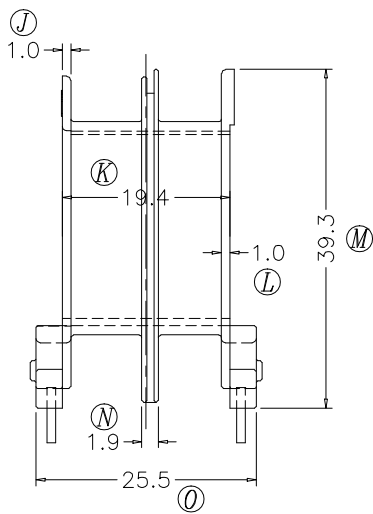
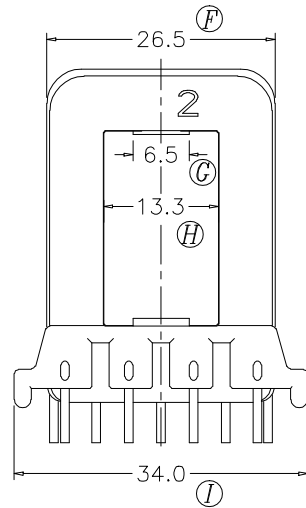
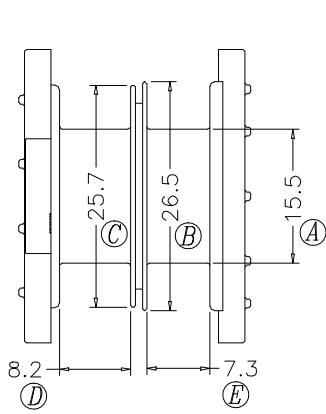


ZX-41A



对应的ZX-41A1

REV.	REVISIONS REC.	DATE	REV.	REVISIONS REC.	DATE
1			4		
2			5		
3			6		
DRAWN & DRAFTED BY	LUOSHENG	TOLERANCES		ANGLE:	TITLE:
CHECKED & APPROVED BY	LINJIANJUN	0<L<4 ±0.1	pin pitch	±1°	EI-41 (5+4P) 2S
		4<L<16 ±0.2		UNIT: MM	BOBBIN MATERIAL: PHENOLIC
		16<L<63 ±0.3	±0.2	SCALE:	PIN MATERIAL: CP WIRE
智信电子塑胶有限公司 ZHI XIN ELECTRONICS PLASTIC CO., LTD. TEL: 0769-86389901-2 FAX: 0769-86389903		DATE: 2009.09.01		UL REC. UL 94V-0 PIN TENSION LOAD: 1.2KG MIN DRAWING NO. ZX-41A	
				REV. A01	