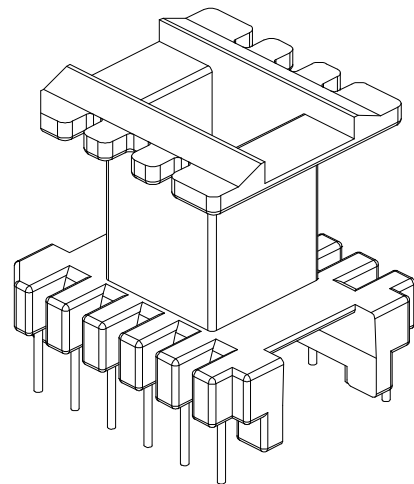
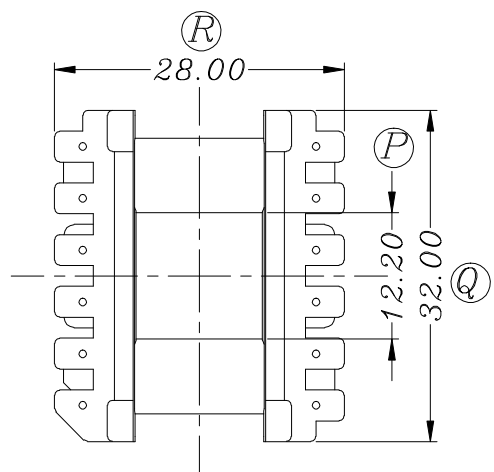
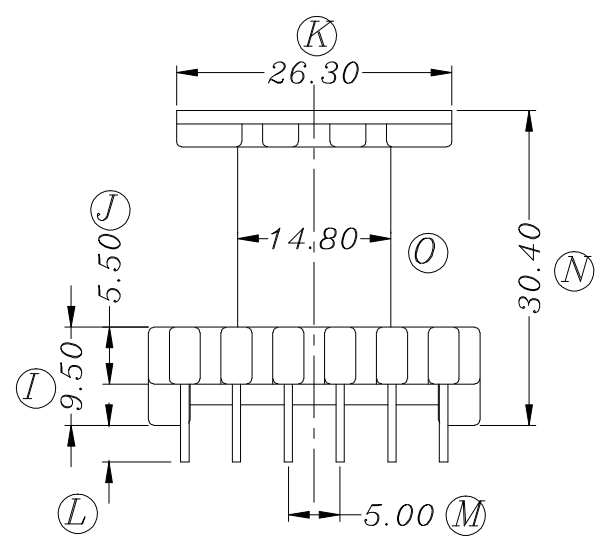
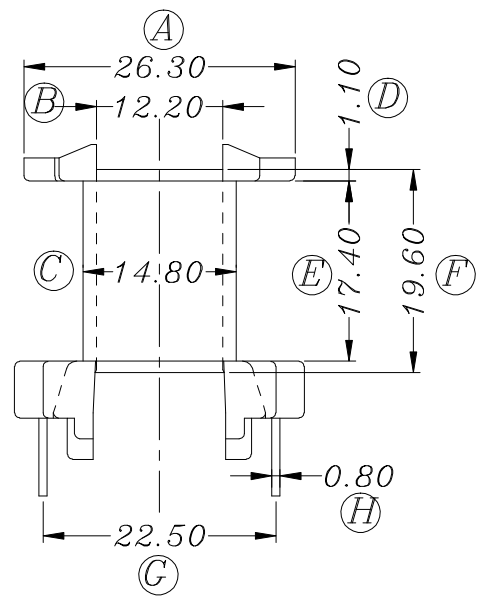


ZX-40I



REV.	REVISIONS REC.		DATE	REV.	REVISIONS REC.		DATE
1				4			
2				5			
3				6			
DRAWN & DRAFTED BY		LIU WEI QIANG	TOLERANCES		ANGLE:		TITLE:
CHECKED & APPROVED BY		MA BU JIAN	0 < L ≤ 4 ±0.1	pin pitch	±1°		EI-40 (6+6P) BOBBIN MATERIAL: PHENOLIC UL REC. UL 94V-0
			4 < L ≤ 16 ±0.2	±0.2	UNIT: MM		
			16 < L ≤ 63 ±0.3		SCALE:		PIN MATERIAL: CP WIRE
					DATE: 2013.05.21		PIN TENSION LOAD: 1.5KG MIN
					DRAWING NO. ZX-40I		REV. A01



智信电子塑胶有限公司
 ZHI XIN ELECTRONICS PLASTIC CO., LTD.
 TEL:0769-86389901-2 FAX:0769-86389903

