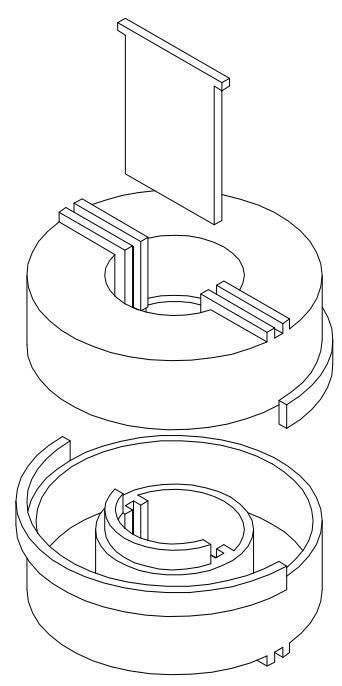
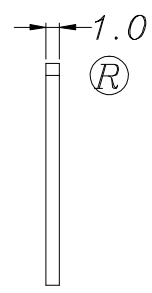
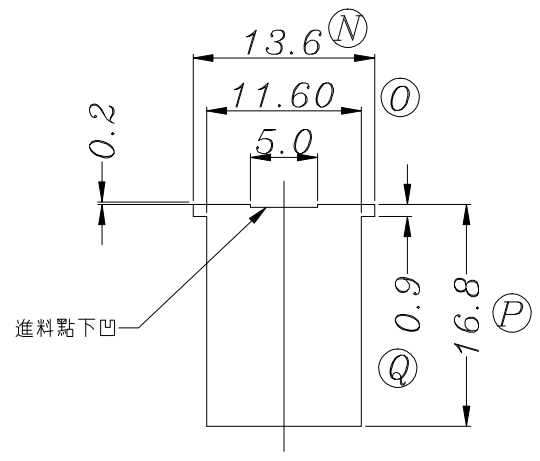
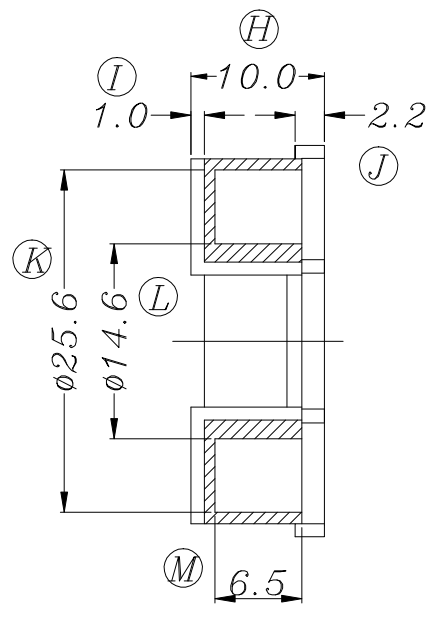
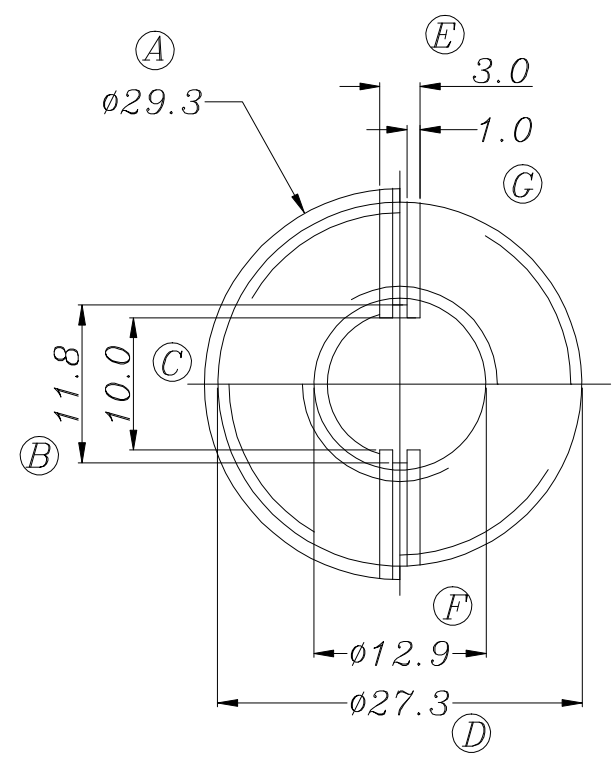


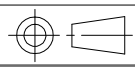
ZX-C069



REV.	REVISIONS	REC.	DATE	REV.	REVISIONS	REC.	DATE
1				4			
2				5			
3				6			
DRAWN & DRAFTED BY		LIU WEI QIANG		TOLERANCES		ANGLE: $\pm 1^\circ$	
CHECKED & APPROVED BY		ZHANG YONG		$0 < L \leq 4 \pm 0.1$ $4 < L \leq 16 \pm 0.2$ $16 < L \leq 63 \pm 0.3$		UNIT: MM SCALE:	
TITLE:		T25*15*13 COVER					
BOBBIN MATERIAL:		PBT		UL REC.		UL 94V-0	
PIN MATERIAL:		CP WIRE		PIN TENSION LOAD:			
DATE:		2018.12.08		DRAWING NO.		ZX-C069	
REV.		A01					



智信电子塑胶有限公司
 ZHI XIN ELECTRONICS PLASTIC CO., LTD.
 TEL: 0769-86389901-2 FAX: 0769-86389903



DATE: 2018.12.08

DRAWING NO. ZX-C069

REV. A01