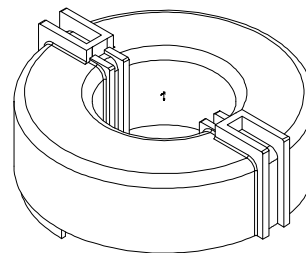
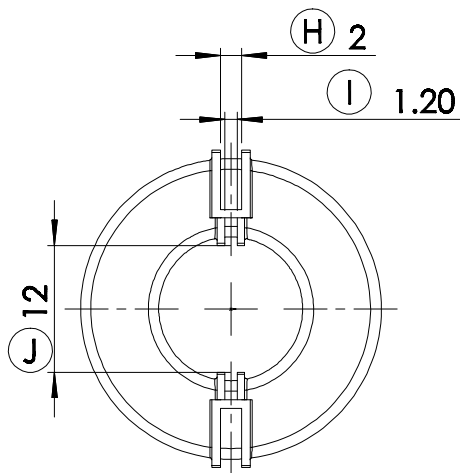
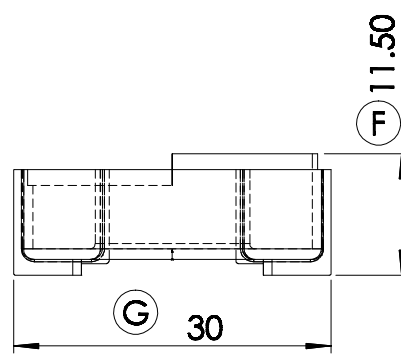
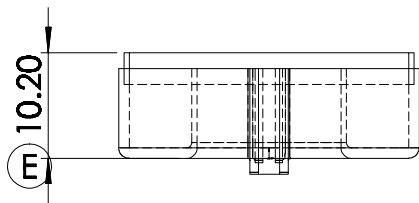
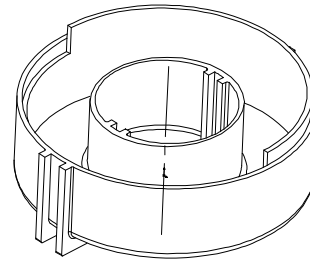
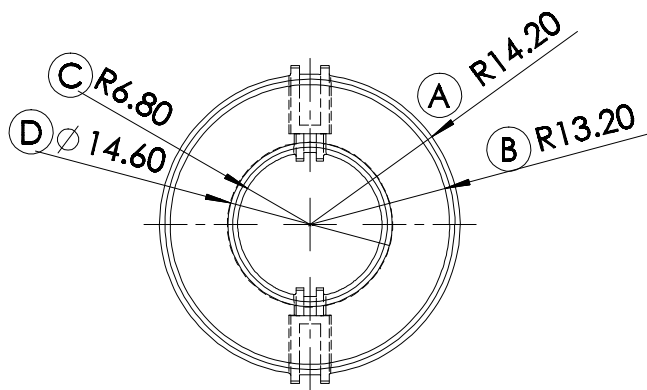


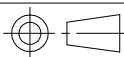
ZX-C043



REV.	REVISIONS	REC.	DATE	REV.	REVISIONS	REC.	DATE
1				4			
2				5			
3				6			
DRAWN & DRAFTED BY		LIU WEI QIANG		TOLERANCES		ANGLE: ±1°	
CHECKED & APPROVED BY		ZHANG YONG		0 < L ≤ 4 ±0.1		TITLE: 25*15*15	
				4 < L ≤ 16 ±0.2		BOBBIN MATERIAL: PBT4130	
				16 < L ≤ 63 ±0.3		UL REC. UL 94V-0	
				pin pitch ±0.2		PIN MATERIAL:	
				UNIT: MM		PIN TENSION LOAD:	
				SCALE:		DATE: 2018.12.08	
				DRAWING NO. ZX-C043		REV. A01	



智信电子塑胶有限公司
ZHI XIN ELECTRONICS PLASTIC CO., LTD.
TEL:0769-86389901-2 FAX:0769-86389903



DATE: 2018.12.08

DRAWING NO. ZX-C043

REV. A01