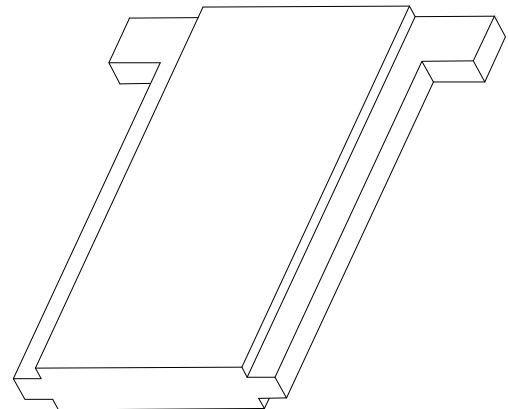
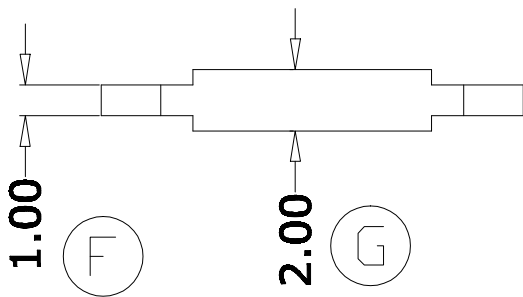
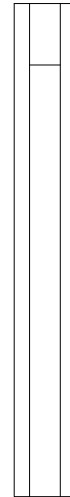
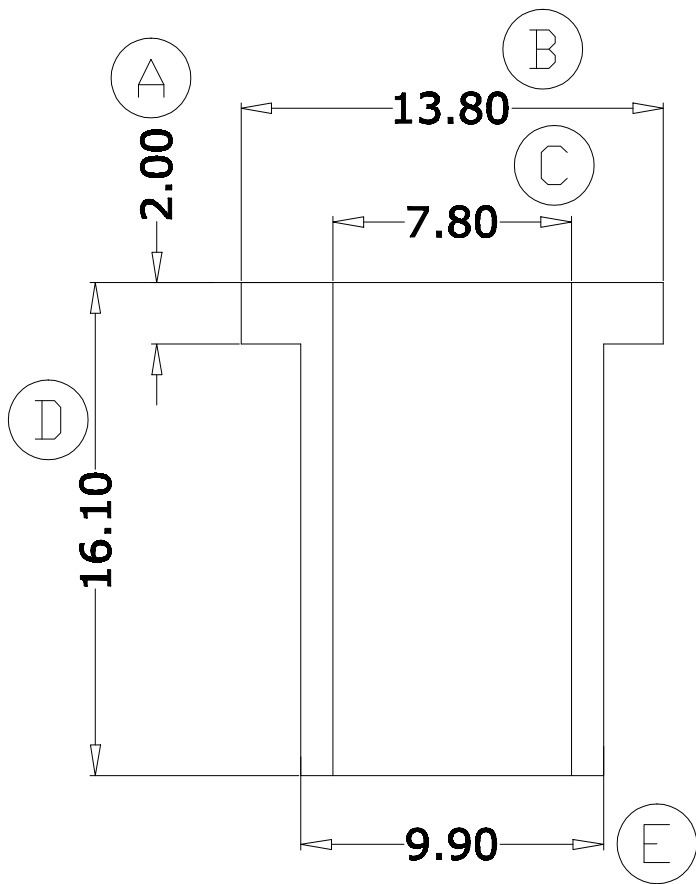


ZX-C023-1

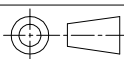


REV.	REVISIONS REC.		DATE	REV.	REVISIONS REC.		DATE		
1				4					
2				5					
3				6					
DRAWN & DRAFTED BY		LIU WEI QIANG		TOLERANCES		ANGLE: $\pm 1^\circ$		TITLE: CASE	
CHECKED & APPROVED BY		MA BU JIAN		$0 < L \leq 4 \pm 0.1$ $4 < L \leq 16 \pm 0.2$ $16 < L \leq 30 \pm 0.3$		pin pitch $\pm 0.20$		UNIT: MM	
								BOBBIN MATERIAL: PBT	
								UL REC. UL 94V-0	
								PIN MATERIAL:	
								PIN TENSION LOAD:	
								SCALE:	
								DATE: 2013.09.10	
								DRAWING NO. ZX-C023-1	
								REV. A01	



智信电子塑胶有限公司

ZHI XIN ELECTRONICS PLASTIC CO., LTD.  
 TEL:0769-86389901-2 FAX:0769-86389903



DATE: 2013.09.10

DRAWING NO. ZX-C023-1

REV. A01