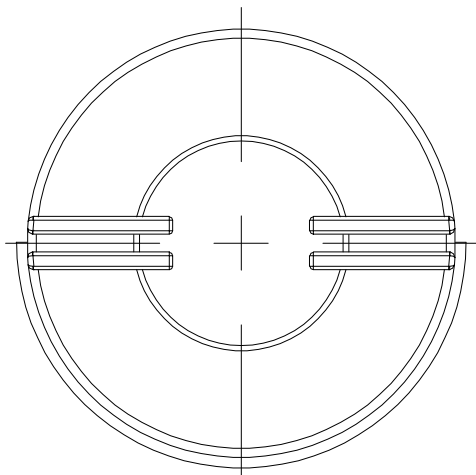
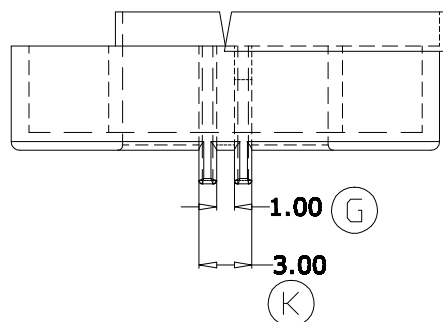
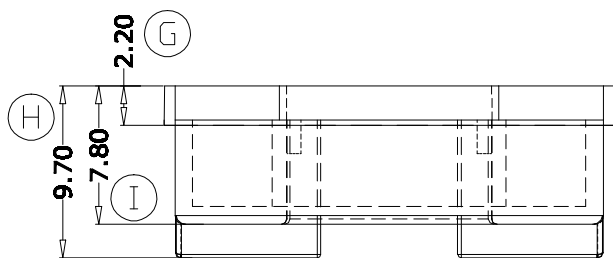
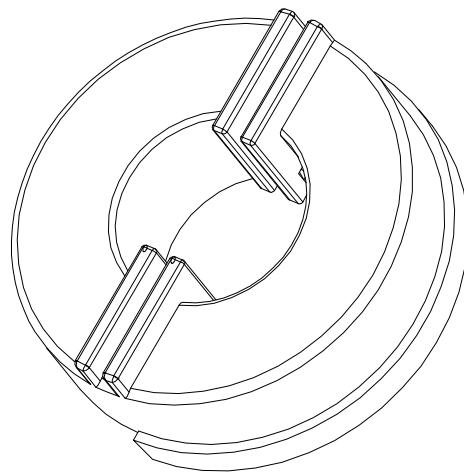
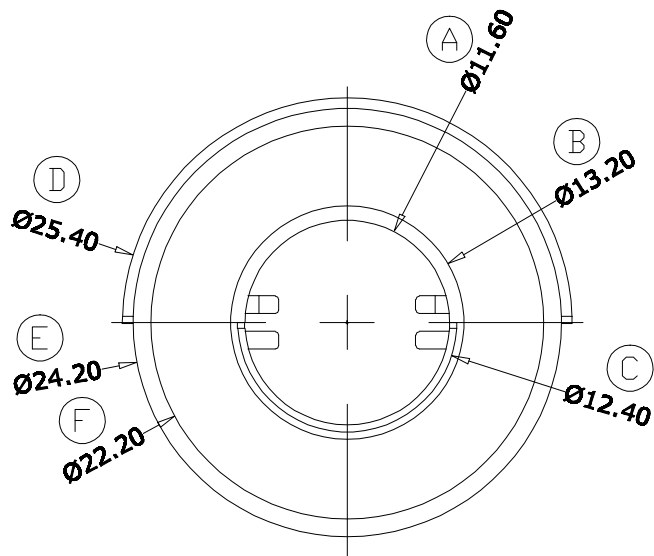


ZX-C023



REV.	REVISIONS	REC.	DATE	REV.	REVISIONS	REC.	DATE
1				4			
2				5			
3				6			

DRAWN & DRAFTED BY LIU WEI QIANG	TOLERANCES		ANGLE:	TITLE:		
	0<L≤4 ±0.1	pin pitch ±0.20	±1°	CASE		
CHECKED & APPROVED BY MA BU JIAN	4<L≤16 ±0.2		UNIT:	BOBBIN MATERIAL:	UL REC.	
	16<L≤30 ±0.3	MM		PBT	UL 94V-0	
智信电子塑胶有限公司 ZHI XIN ELECTRONICS PLASTIC CO., LTD. TEL:0769-86389901-2 FAX:0769-86389903			SCALE:	PIN MATERIAL:	PIN TENSION LOAD:	
			DATE:	DRAWING NO.	REV.	
			2013.09.10	ZX-C023	A01	