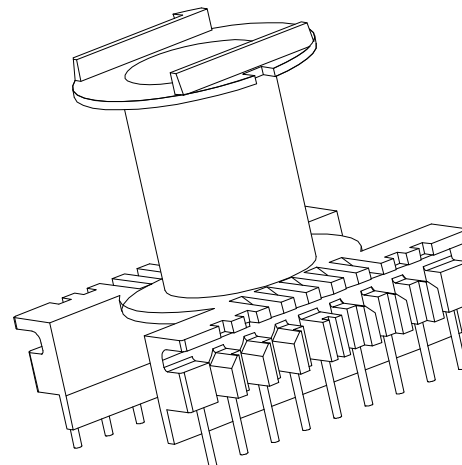
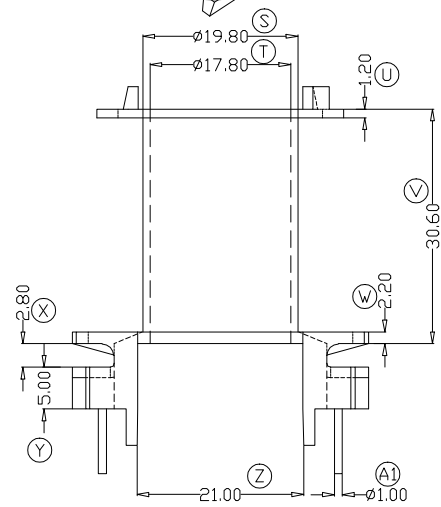
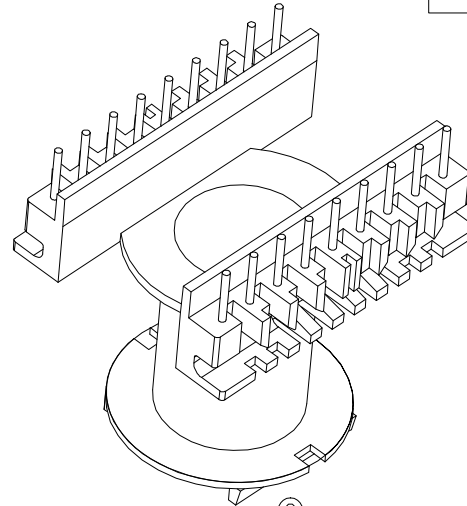
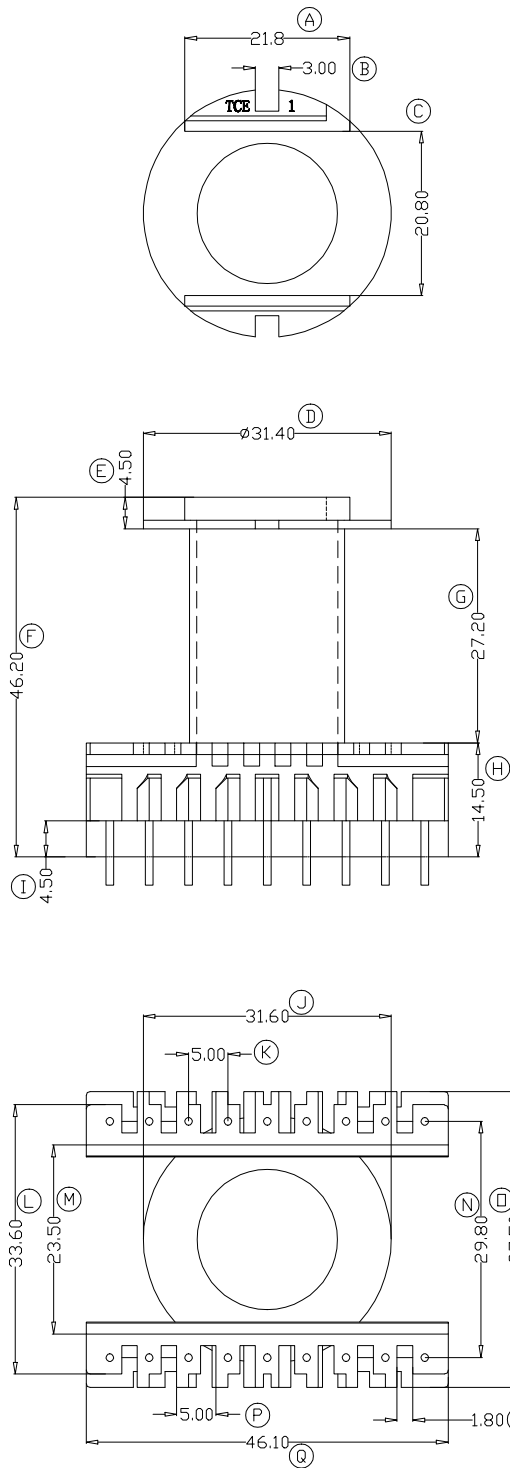


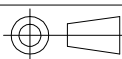
ZX-42L



REV.	REVISIONS REC.		DATE	REV.	REVISIONS REC.		DATE
1				4			
2				5			
3				6			
DRAWN & DRAFTED BY		LIU WEI QIANG		TOLERANCES		ANGLE: $\pm 1^\circ$	
CHECKED & APPROVED BY		MA BU JIAN		$0 < L \leq 4 \pm 0.1$ $4 < L \leq 16 \pm 0.2$ $16 < L \leq 63 \pm 0.3$		pin pitch ± 0.2 UNIT: MM SCALE:	
TITLE:		ERL-4220(9+9P)					
BOBBIN MATERIAL:		PHENOLIC		UL REC.		UL 94V-0	
PIN MATERIAL:		CP WIRE		PIN TENSION LOAD:		1.5KG MIN	
DATE:		2013.08.07		DRAWING NO.		ZX-42L	
REV.		A01					



智信电子塑胶有限公司
 ZHI XIN ELECTRONICS PLASTIC CO., LTD.
 TEL:0769-86389901-2 FAX:0769-86389903



DATE: 2013.08.07

DRAWING NO. ZX-42L

REV. A01