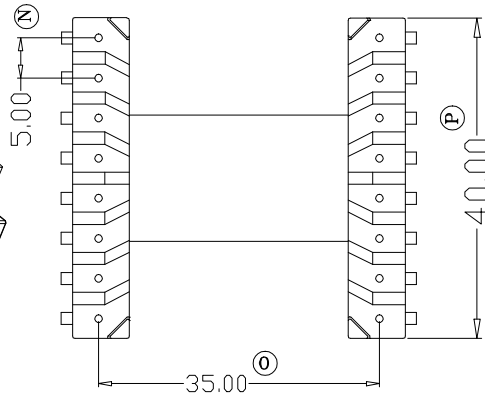
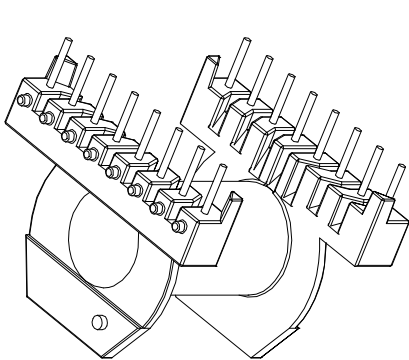
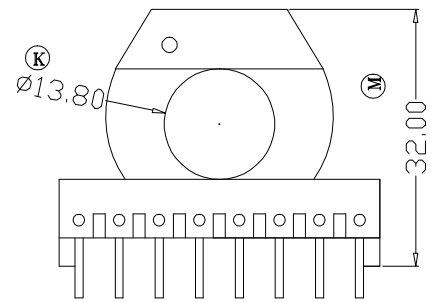
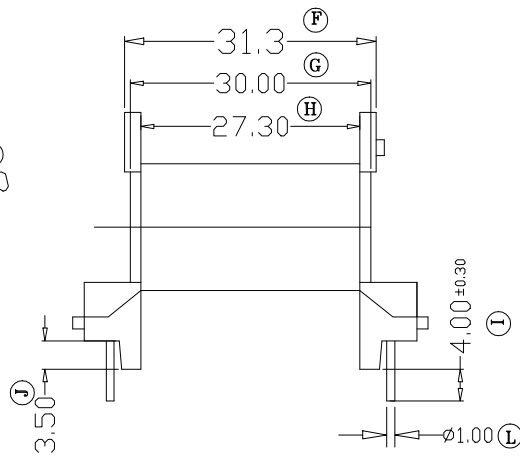
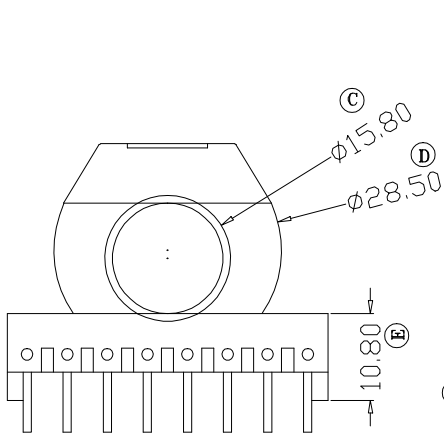
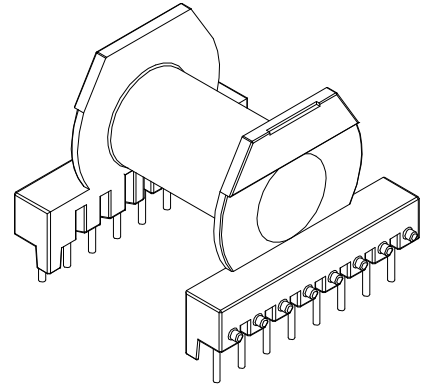
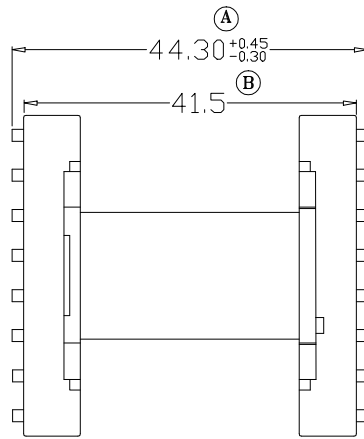


# ZX-40H

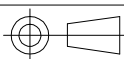


REV.	REVISIONS REC.		DATE	REV.	REVISIONS REC.		DATE
1				4			
2				5			
3				6			
DRAWN & DRAFTED BY		LIU WEI QIANG		TOLERANCES		ANGLE: $\pm 1^\circ$	
CHECKED & APPROVED BY		LI JUN		0 <math>L \le 4</math> $\pm 0.1$		TITLE: ERL-40(8+8P)	
				4 <math>L \le 16</math> $\pm 0.2$		UNIT: MM	
				16 <math>L \le 63</math> $\pm 0.3$		BOBBIN MATERIAL: T375J	
				pin pitch $\pm 0.2$		UL REC. UL 94V-0	
						PIN MATERIAL: CP WIRE	
						PIN TENSION LOAD: 1.6KG MIN	
				SCALE:		DATE: 2012.04.12	
				DRAWING NO. ZX-40H		REV. A01	



智信电子塑胶有限公司

ZHI XIN ELECTRONICS PLASTIC CO., LTD.  
TEL:0769-86389901-2 FAX:0769-86389903



DATE: 2012.04.12

DRAWING NO.

ZX-40H

REV. A01