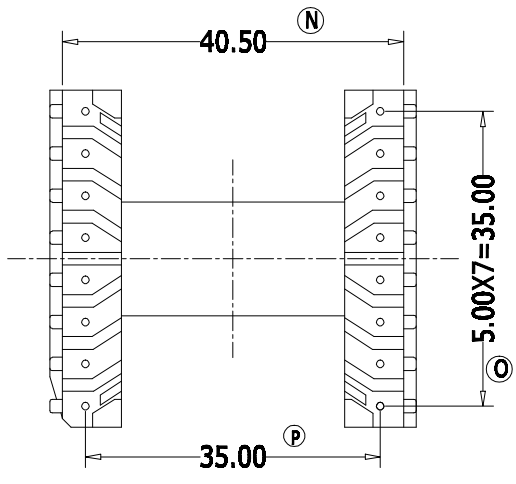
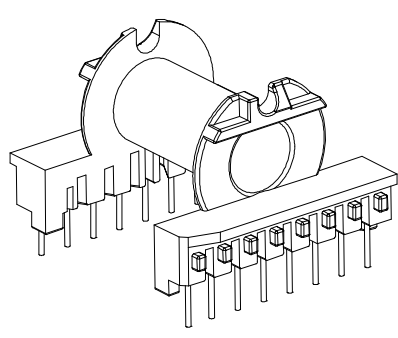
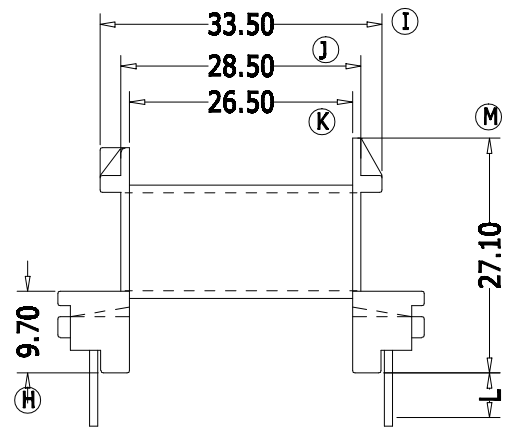
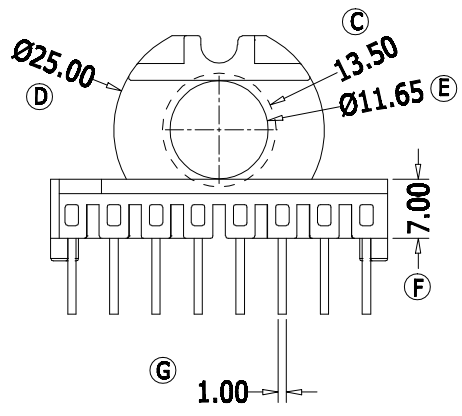
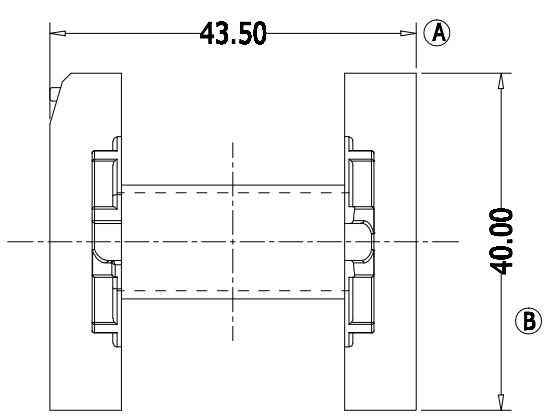
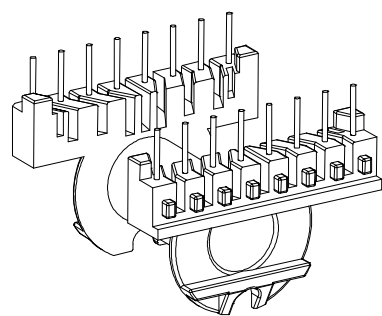


ZX-35G2



REV.	REVISIONS REC.		DATE	REV.	REVISIONS REC.		DATE
1				4			
2				5			
3				6			
DRAWN & DRAFTED BY	LIU WEI QIANG	TOLERANCES		ANGLE:	TITLE: ERL-35(8+8P)		
CHECKED & APPROVED BY	LI JUN	0<L≤4 ±0.1	pin pitch	±1°	BOBBIN MATERIAL:	T375J	UL REC. UL 94V-0
		4<L≤16 ±0.2	±0.2	UNIT:	CP WIRE	PIN TENSION LOAD: 1.5KG MIN	
		16<L≤63 ±0.3		MM	SCALE:	DATE: 2018.08.01	DRAWING NO. ZX-35G2
智信电子塑胶有限公司 ZHI XIN ELECTRONICS PLASTIC CO., LTD. TEL:0769-86389901-2 FAX:0769-86389903				DATE: 2018.08.01		DRAWING NO. ZX-35G2	
						REV. A01	