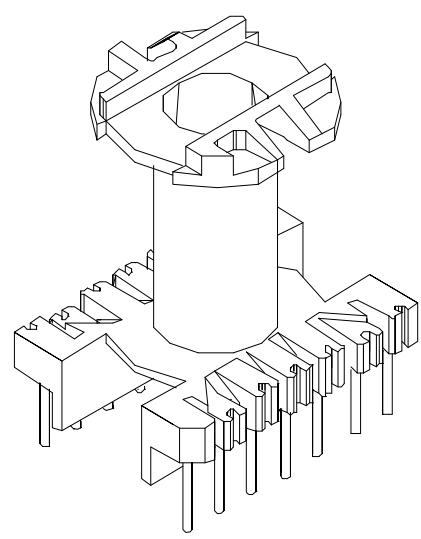
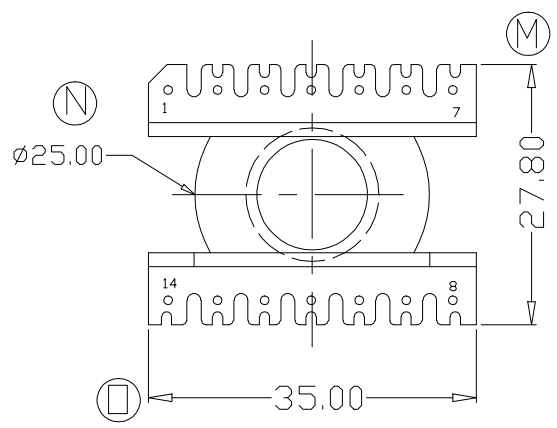
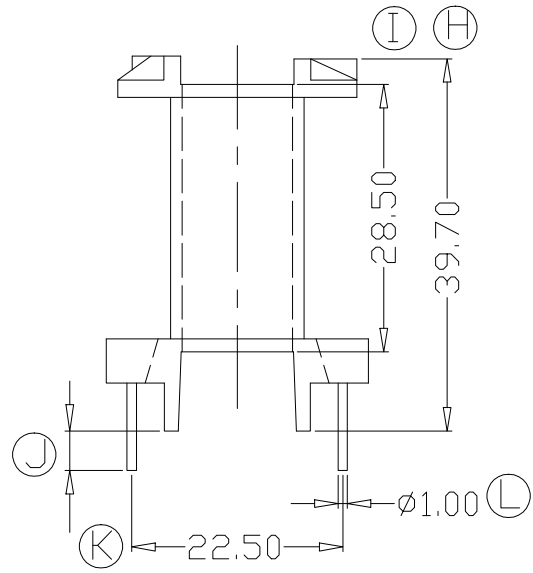
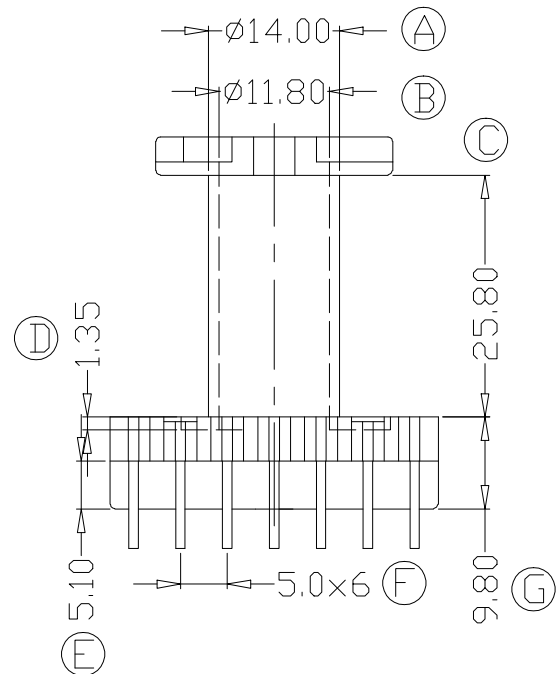


ZX-35D



| REV. | REVISIONS REC. | | DATE | REV. | REVISIONS REC. | | DATE |
|---|----------------|---------------|------|---|----------------|---|------|
| 1 | | | | 4 | | | |
| 2 | | | | 5 | | | |
| 3 | | | | 6 | | | |
| DRAWN & DRAFTED BY | | LIU WEI QIANG | | TOLERANCES | | ANGLE: $\pm 1^\circ$ | |
| CHECKED & APPROVED BY | | LI JUN | | $0 < L \leq 4 \pm 0.1$ $4 < L \leq 16 \pm 0.2$ $16 < L \leq 63 \pm 0.3$ | | pin pitch ± 0.2 UNIT: MM SCALE: | |
| 智信电子塑胶有限公司 ZHI XIN ELECTRONICS PLASTIC CO., LTD. TEL:0769-86389901-2 FAX:0769-86389903 | | | | TITLE: ERL-35(7+7P) BOBBIN MATERIAL: PHENOLIC PIN MATERIAL: CP WIRE | | UL REC. UL 94V-0 PIN TENSION LOAD: 1.5KG MIN | |
| | | | | DATE: 2003.10.28 | | DRAWING NO. ZX-35D | |
| | | | | | | REV. A01 | |