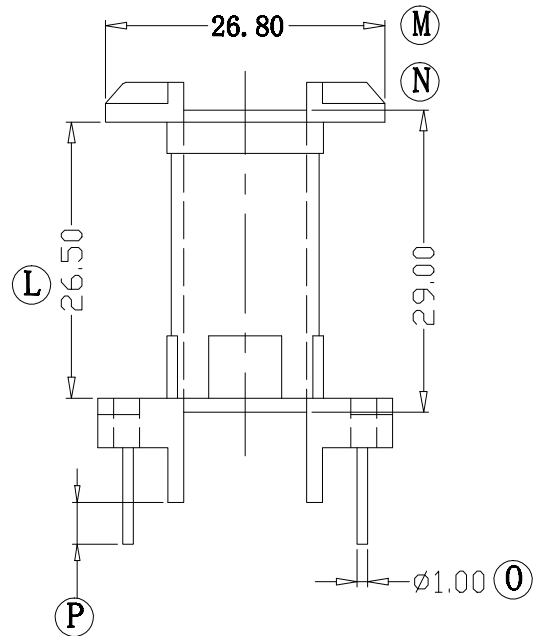
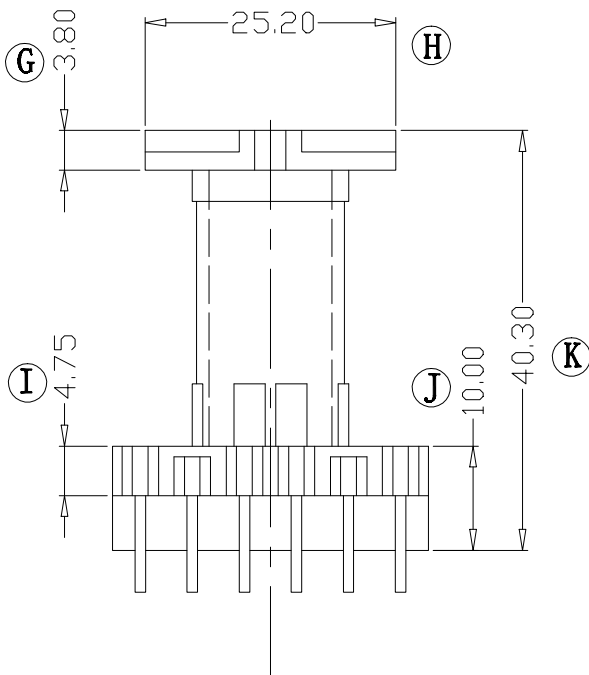
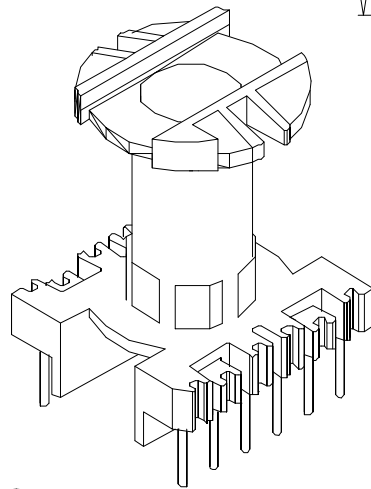
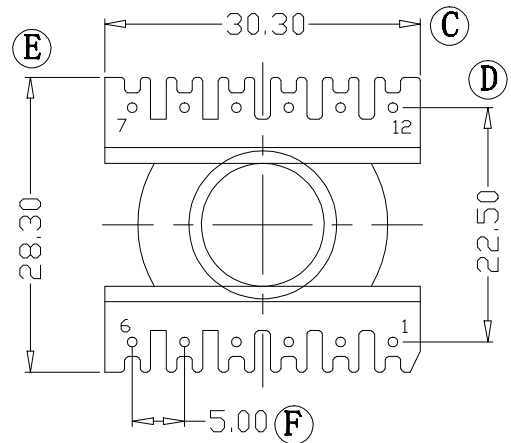
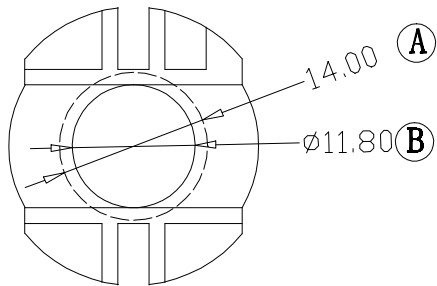


# ZX-35C

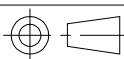


REV.	REVISIONS REC.		DATE	REV.	REVISIONS REC.		DATE
1				4			
2				5			
3				6			
DRAWN & DRAFTED BY	LIU WEI QIANG	TOLERANCES		ANGLE:	TITLE: ERL-35(6+6P)		
CHECKED & APPROVED BY	MA BU JIAN	$0 < L \leq 4 \pm 0.1$ $4 < L \leq 16 \pm 0.2$ $16 < L \leq 63 \pm 0.3$	pin pitch $\pm 0.2$	UNIT:	BOBBIN MATERIAL:	UL REC. UL 94V-0	
				MM	PHENOLIC		
				SCALE:	PIN MATERIAL:	PIN TENSION LOAD: 1.5KG MIN	
					CP WIRE		
					DATE:	DRAWING NO.	REV.
					2012.06.03	ZX-35C	A01



**智信电子塑胶有限公司**

ZHI XIN ELECTRONICS PLASTIC CO., LTD.  
 TEL:0769-86389901-2 FAX:0769-86389903



DATE: 2012.06.03

DRAWING NO.

ZX-35C

REV. A01