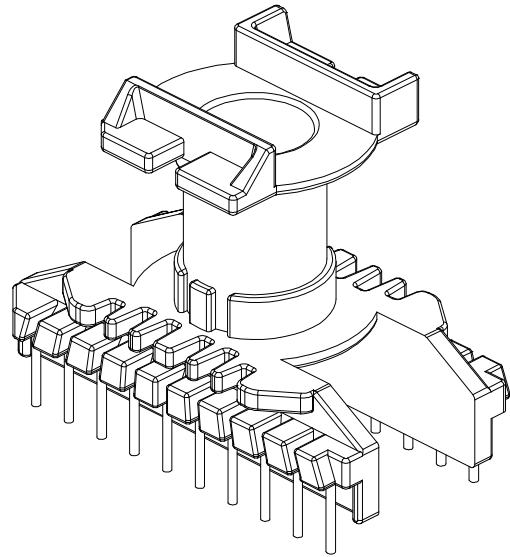
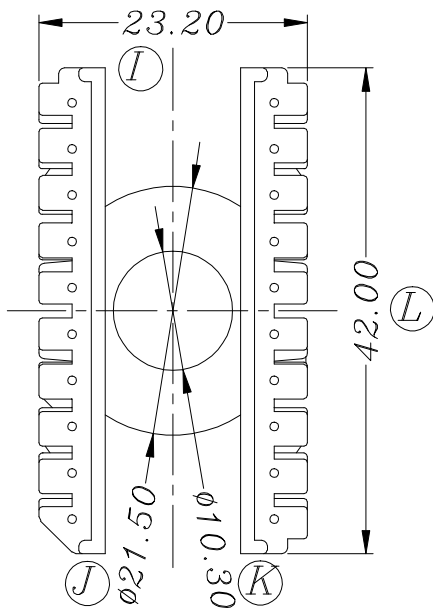
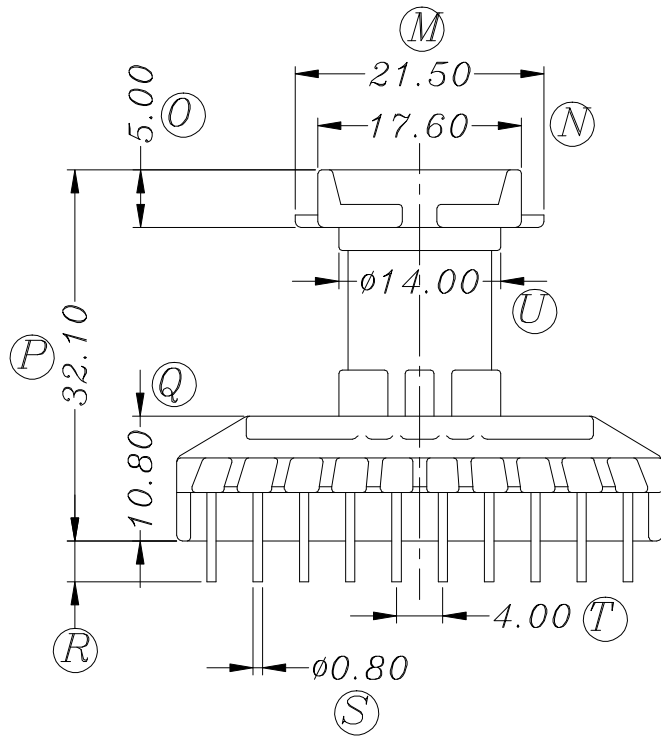
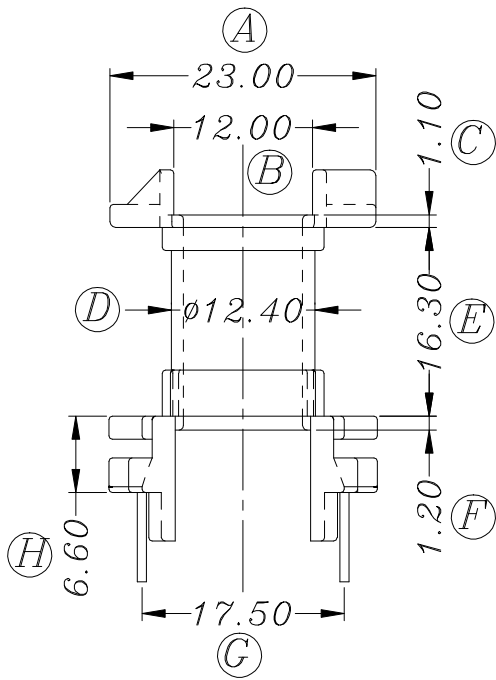


ZX-28Y



REV.	REVISIONS REC.		DATE	REV.	REVISIONS REC.		DATE
1				4			
2				5			
3				6			
DRAWN & DRAFTED BY	LIU WEI QIANG	TOLERANCES		ANGLE:	TITLE: ERL-28 (10+10P)		
CHECKED & APPROVED BY	MA BU JIAN	0.4 ≤ L ±0.10	PIN PITBH ±0.2	UNIT:	BOBBIN MATERIAL: PHENOLIC	UL REC. UL 94V-0	
		4L ≤ 16 ±0.20		SCALE:	PIN MATERIAL: CP WIRE	PIN TENSION LOAD: 1.2kg MIN	
		16 ≤ L < 63 ±0.30			DATE: 2011.06.04	DRAWING NO. ZX-28Y	REV. A01



智信电子塑胶有限公司

ZHI XIN ELECTRONICS PLASTIC CO., LTD.
TEL:0769-86389901-2 FAX:0769-86389903

