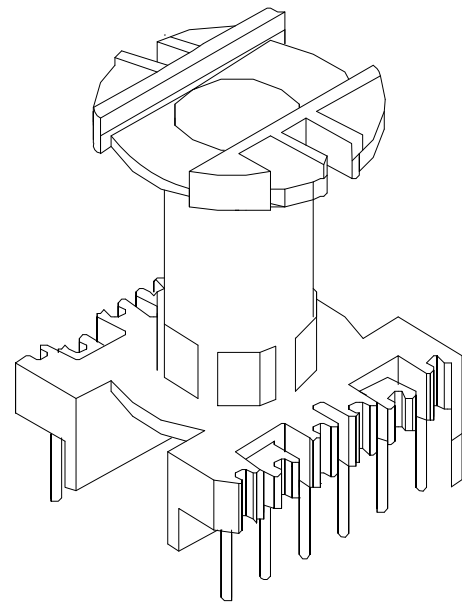
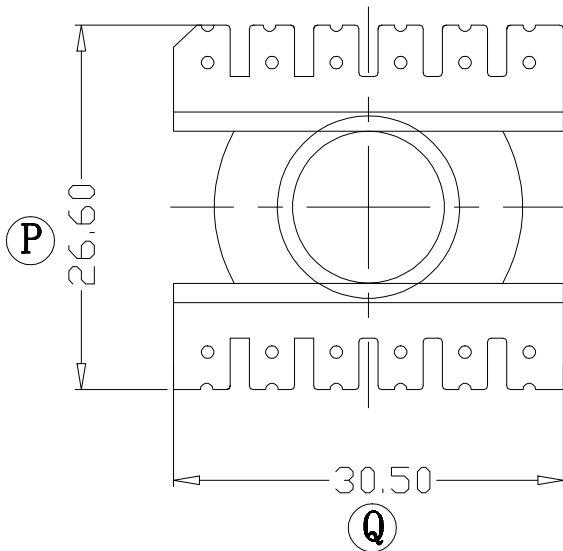
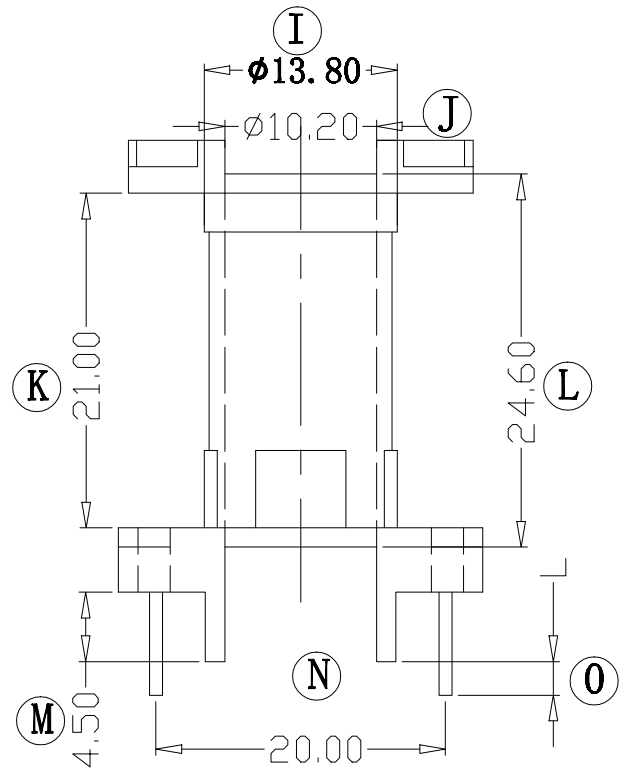
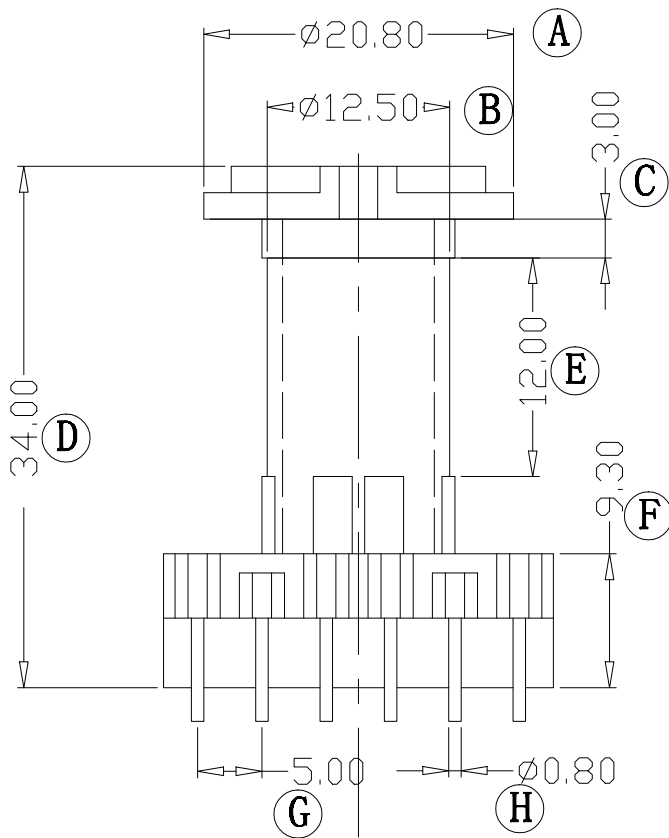


ZX-28S1

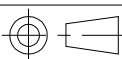


REV.	REVISIONS REC.		DATE	REV.	REVISIONS REC.		DATE
1				4			
2				5			
3				6			
DRAWN & DRAFTED BY		LIU WEI QIANG		TOLERANCES		ANGLE: $\pm 1^\circ$	
CHECKED & APPROVED BY		MA BU JIAN		$0 < L \leq 4 \pm 0.1$ $4 < L \leq 16 \pm 0.2$ $16 < L \leq 63 \pm 0.3$		UNIT: MM SCALE:	
TITLE:		ERL-28(6+6P)		BOBBIN MATERIAL:		UL REC. UL 94V-0	
PIN MATERIAL:		CP WIRE		PIN TENSION LOAD:		1.2kg MIN.	
DATE:		2009.04.16		DRAWING NO.:		ZX-28S1	
REV.:		A01					



智信电子塑胶有限公司

ZHI XIN ELECTRONICS PLASTIC CO., LTD.
TEL:0769-86389901-2 FAX:0769-86389903



DATE: 2009.04.16

DRAWING NO. ZX-28S1

REV. A01