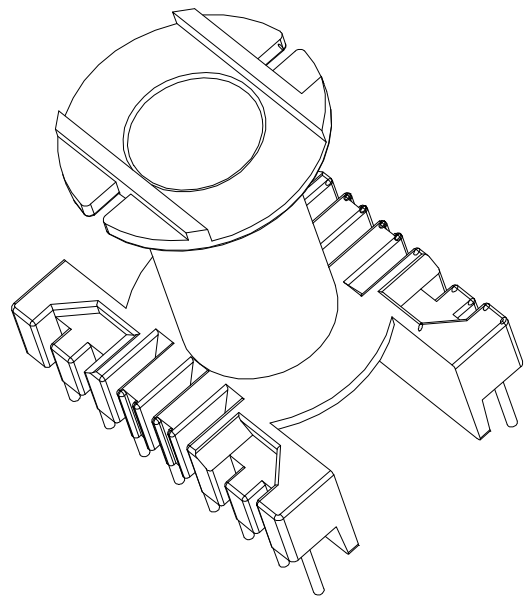
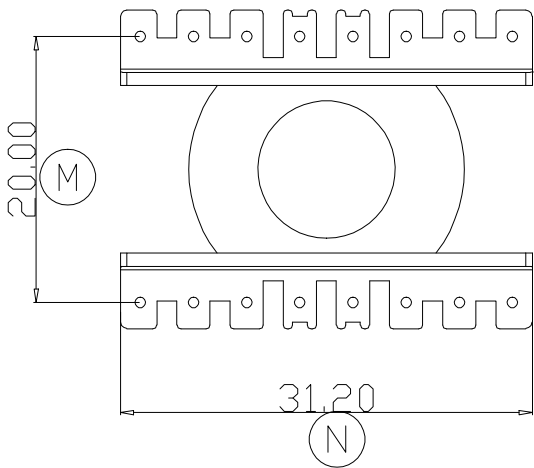
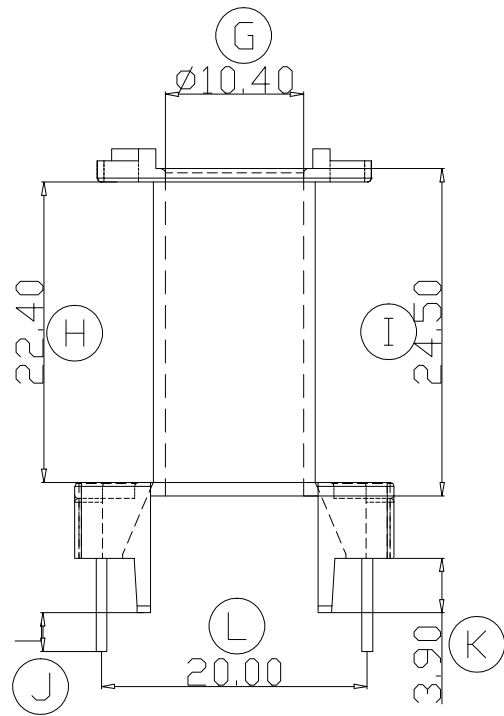
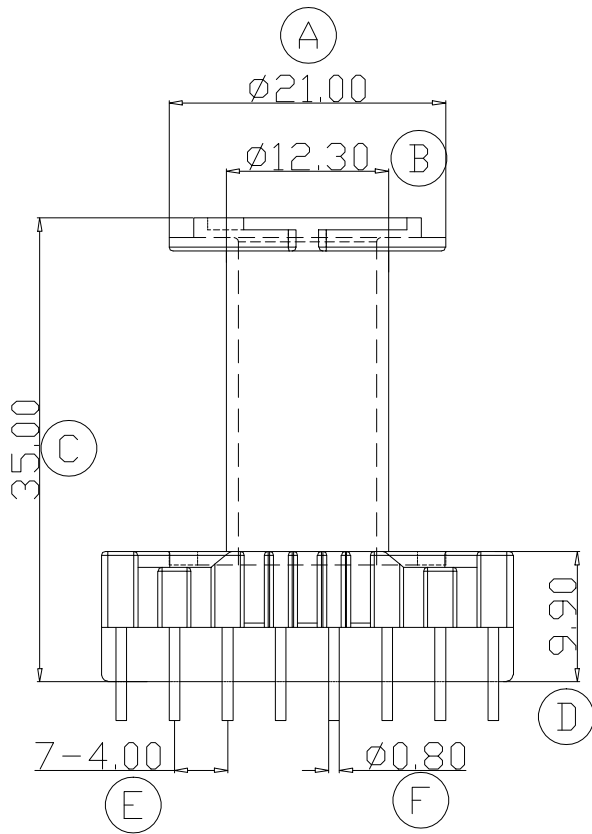


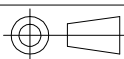
ZX-28M



REV.	REVISIONS REC.		DATE	REV.	REVISIONS REC.		DATE
1				4			
2				5			
3				6			
DRAWN & DRAFTED BY		LIU WEI QIANG	TOLERANCES		ANGLE:	TITLE: ERL-28(8+8P)	
CHECKED & APPROVED BY		MA BU JIAN	0 < L ≤ 4 ±0.1	pin pitch	±1°	BOBBIN MATERIAL: PHENOLIC	
			4 < L ≤ 16 ±0.2	±0.2	UNIT:	UL REC.	UL 94V-0
			16 < L ≤ 63 ±0.3		MM	PIN MATERIAL: CP WIRE	
					SCALE:	PIN TENSION LOAD: 1.2kg MIN.	
						DATE:	2005.05.13
						DRAWING NO.	ZX-28M
						REV.	A01



智信电子塑胶有限公司
ZHI XIN ELECTRONICS PLASTIC CO., LTD.
 TEL: 0769-86389901-2 FAX: 0769-86389903



DATE: 2005.05.13

DRAWING NO.

ZX-28M

REV. A01