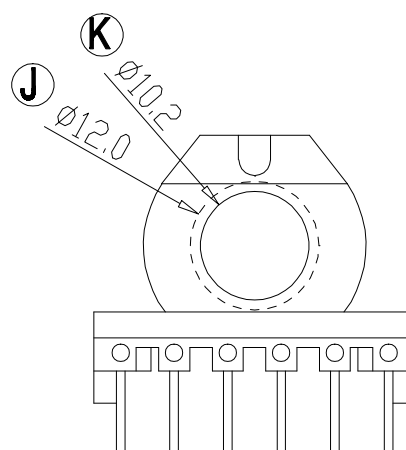
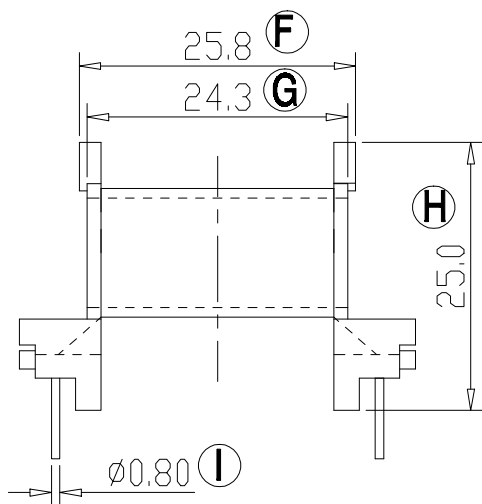
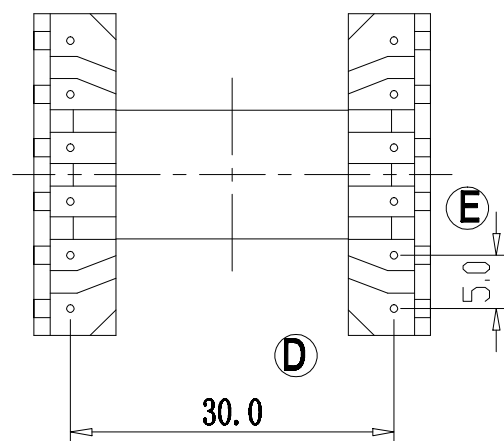
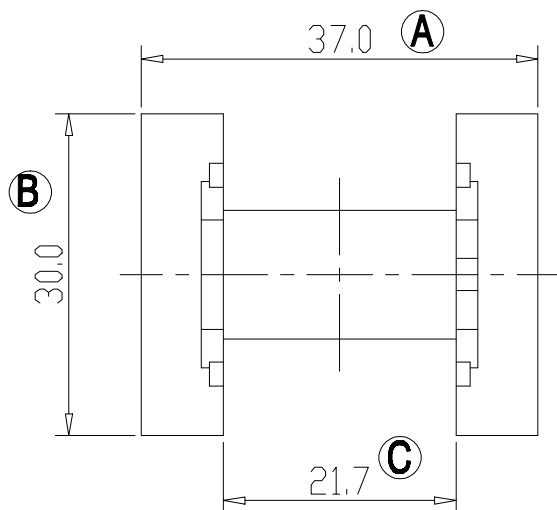
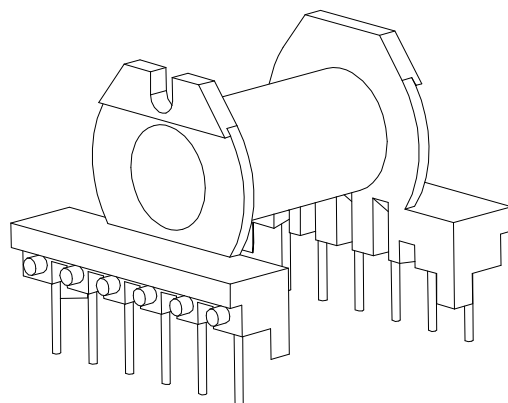


ZX-28E



REV.	REVISIONS REC.		DATE	REV.	REVISIONS REC.		DATE	
1				4				
2				5				
3				6				
DRAWN & DRAFTED BY	LUOSHENG	TOLERANCES		ANGLE:	TITLE: ERL-28(6+6P)			
CHECKED & APPROVED BY	MA BU JIAN	0 < L ≤ 4 ±0.1	pin pitch ±0.2	UNIT:	BOBBIN MATERIAL:	UL REC. UL 94V-0		
		4 < L ≤ 16 ±0.2		MM	PHENOLIC			
		16 < L ≤ 63 ±0.3		SCALE:	PIN MATERIAL:	PIN TENSION LOAD: 1.2KG MIN		
智信电子塑胶有限公司 ZHI XIN ELECTRONICS PLASTIC CO., LTD. TEL:0769-86389901-2 FAX:0769-86389903				DATE:	2005.10.15	DRAWING NO.	ZX-28E	REV. A01