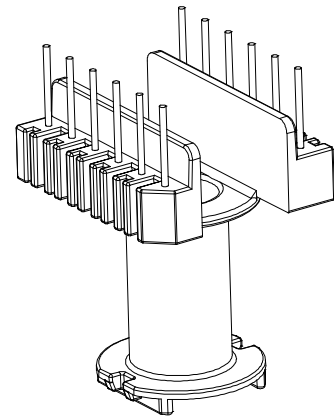
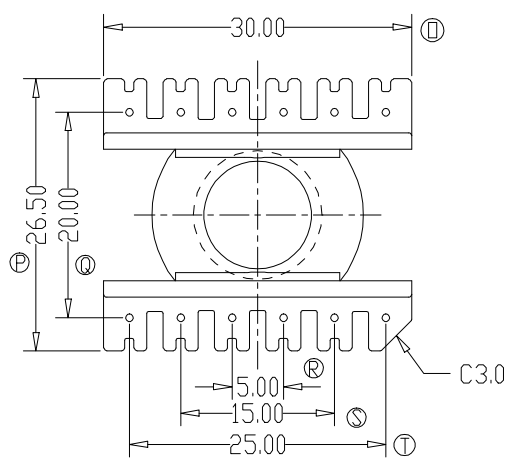
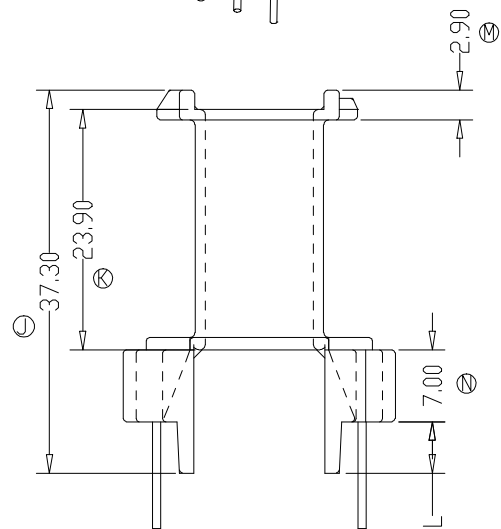
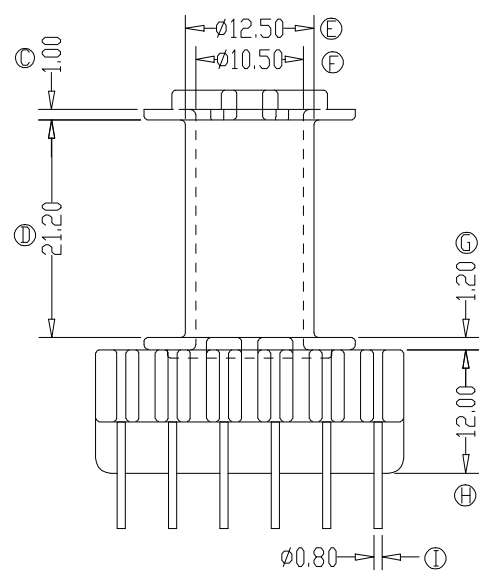
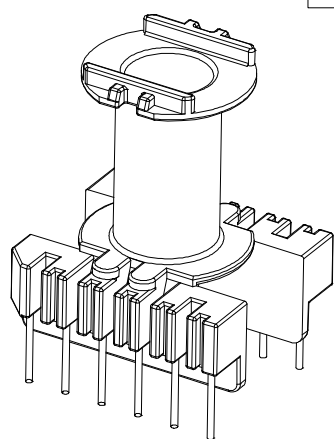
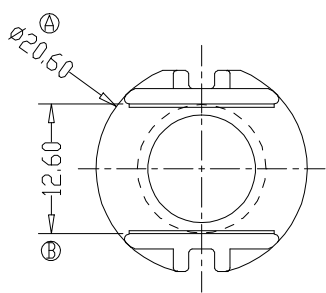


ZX-28AH



REV.	REVISIONS REC.		DATE	REV.	REVISIONS REC.		DATE
1	K 尺寸由23.4MM 变更为23.9MM			4			
2				5			
3				6			
DRAWN & DRAFTED BY	LIU WEI QIANG	TOLERANCES		ANGLE:	TITLE: ERL-28(6+6P)		
CHECKED & APPROVED BY	LI JUN	0<L≤4 ±0.1	pin pitch ±0.2	UNIT:	BOBBIN MATERIAL: PHENOLIC	UL REC. UL 94V-0	
		4<L≤16 ±0.2		SCALE:	PIN MATERIAL: CP WIRE	PIN TENSION LOAD: 1.0KG MIN	
		16<L≤63 ±0.3			DATE: 2010.05.18	DRAWING NO. ZX-28AH	REV. A02



智信电子塑胶有限公司
 ZHI XIN ELECTRONICS PLASTIC CO., LTD.
 TEL:0769-86389901-2 FAX:0769-86389903

