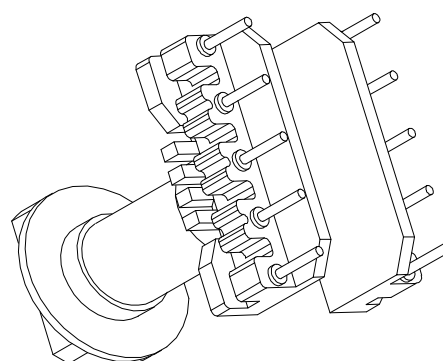
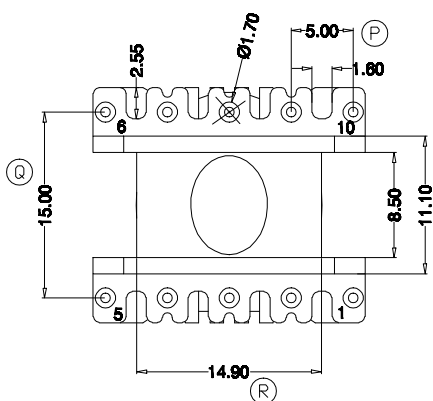
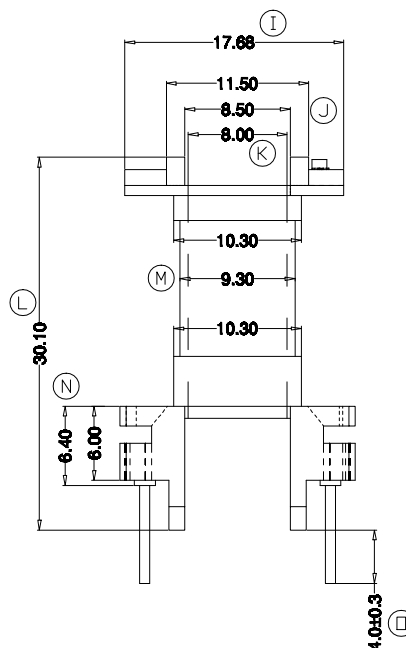
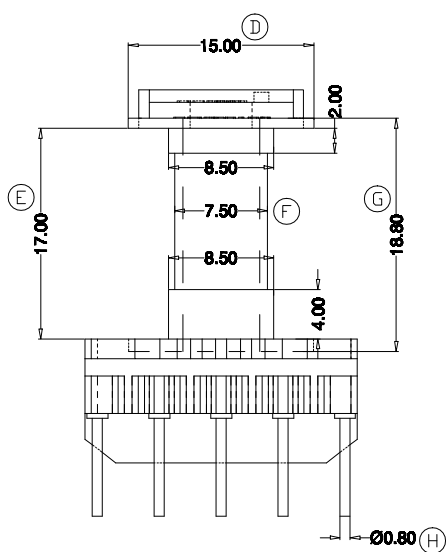
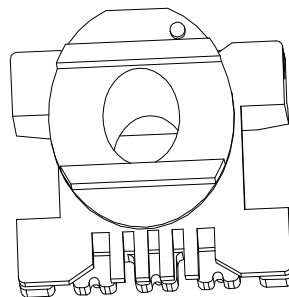
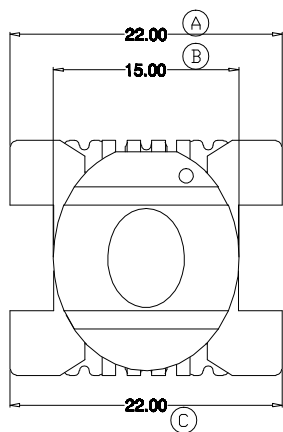



ZX-25BC



REV.	REVISIONS REC.	DATE	REV.	REVISIONS REC.	DATE
1			4		
2			5		
3			6		
DRAWN & DRAFTED	LIU WEI QIANG	TOLERANCES		ANGLE: ±1°	TITLE: ECO-25 (5+5P)
CHECKED & APPROVED BY	MA BU JIAN	0<L<4 ±0.1 pin pitch	4<L<16 ±0.2	UNIT: MM	BOBBIN MATERIAL: PHENOLIC
		16<L<63 ±0.3 ±0.2		SCALE:	PIN MATERIAL: CP WIRE
 智信电子塑胶有限公司 ZHI XIN ELECTRONICS PLASTIC CO., LTD. TEL:0769-86389901-2 FAX:0769-86389903			DATE: 2016.03.21		UL REC. UL 94V-0 PIN TENSION LOAD: 1.2KG MIN
			DRAWING NO. ZX-25BC		REV. A01