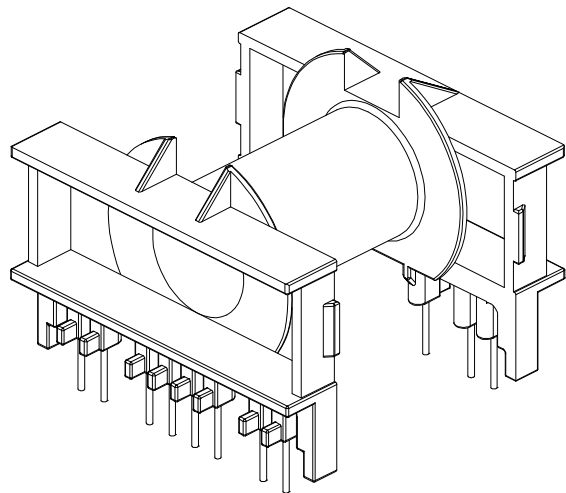
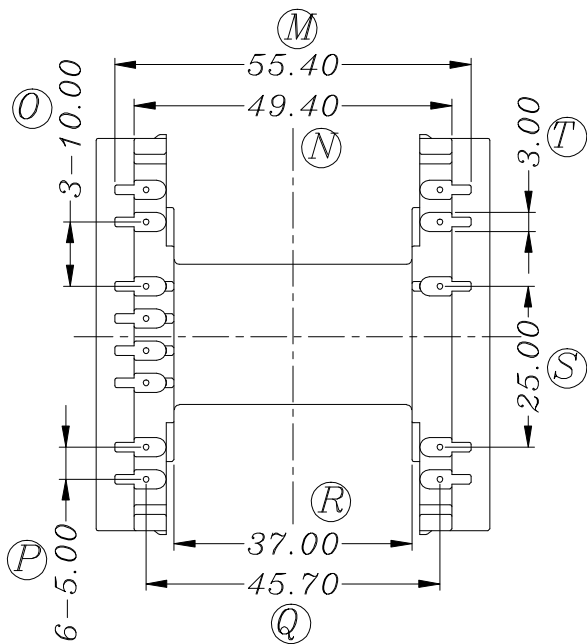
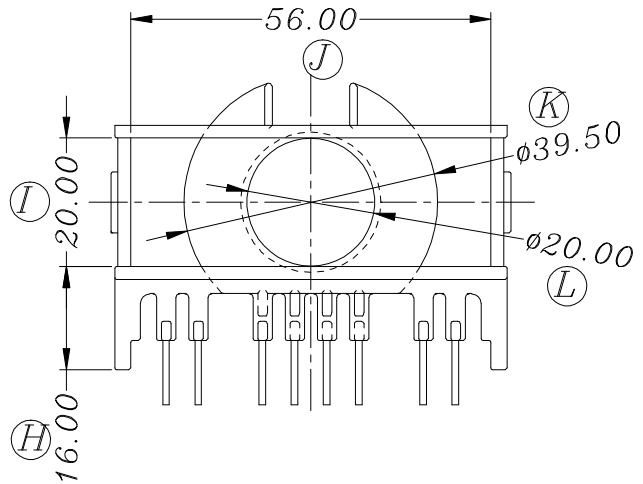
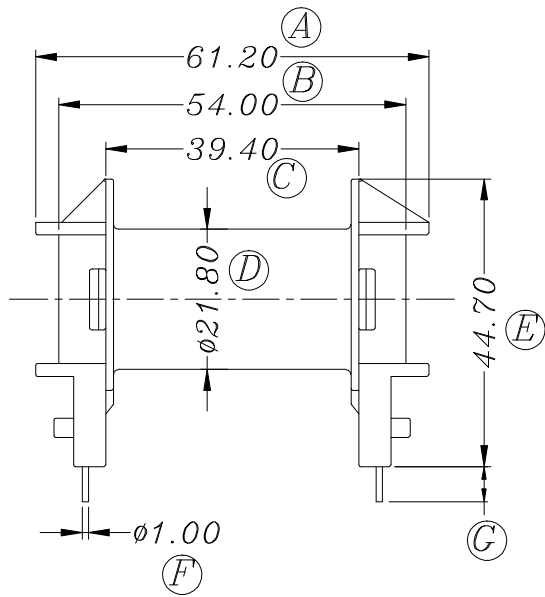


ZX-54A



REV.	REVISIONS REC.		DATE	REV.	REVISIONS REC.		DATE
1				4			
2				5			
3				6			
DRAWN & DRAFTED BY	LIU WEI QIANG	TOLERANCES		ANGLE:	TITLE: ETD-54 (5+8P)		
CHECKED & APPROVED BY	MA BU JIAN	0 < L ≤ 4 ±0.1	pin pitch ±0.2	UNIT:	BOBBIN MATERIAL:	PHENOLIC	UL REC. UL 94V-0
		4 < L ≤ 16 ±0.2		SCALE:	PIN MATERIAL:	CP WIRE	PIN TENSION LOAD: 1.5KG MIN
		16 < L ≤ 63 ±0.3			DATE:	2008.04.02	DRAWING NO. ZX-54A
智信电子塑胶有限公司 ZHI XIN ELECTRONICS PLASTIC CO., LTD. TEL:0769-86389901-2 FAX:0769-86389903						REV. A01	