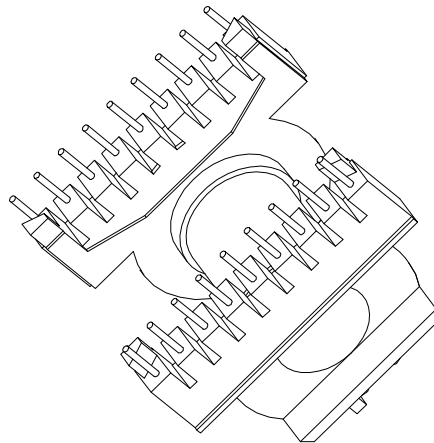
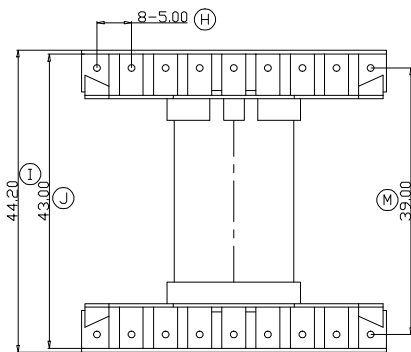
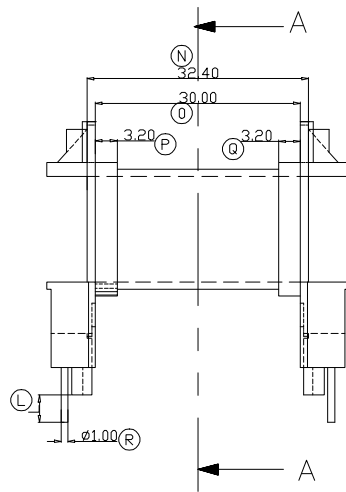
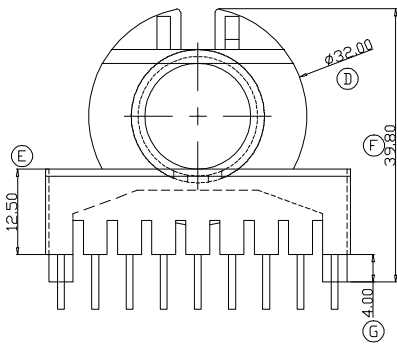
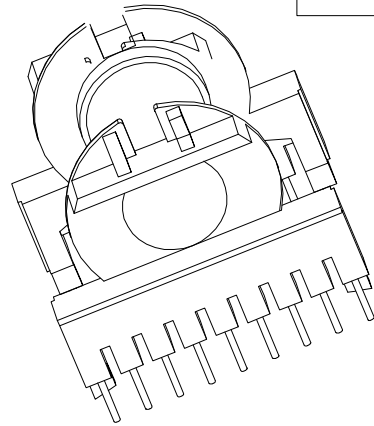
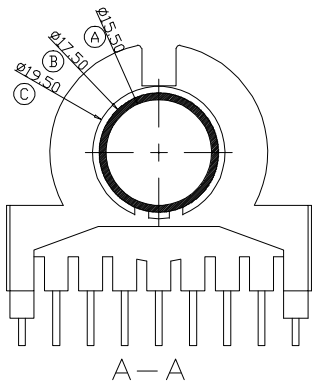


ZX-44A



REV.	REVISIONS REC.		DATE	REV.	REVISIONS REC.		DATE
1				4			
2				5			
3				6			
DRAWN & DRAFTED BY	LIU WEI QIANG	TOLERANCES		ANGLE:	TITLE: ETD-44(9+9P)		
CHECKED & APPROVED BY	MA BU JIAN	$0 < L \leq 4 \pm 0.1$ $4 < L \leq 16 \pm 0.2$ $16 < L \leq 63 \pm 0.3$	pin pitch ± 0.2	$\pm 1^\circ$	BOBBIN MATERIAL:	PHENOLIC	UL REC. UL 94V-0
				UNIT:	MM	PIN MATERIAL:	CP WIRE
				SCALE:			PIN TENSION LOAD: 1.5kg MIN.
智信电子塑胶有限公司 ZHI XIN ELECTRONICS PLASTIC CO., LTD. TEL:0769-86389901-2 FAX:0769-86389903				DATE: 2007.08.13	DRAWING NO.	ZX-44A	REV. A01