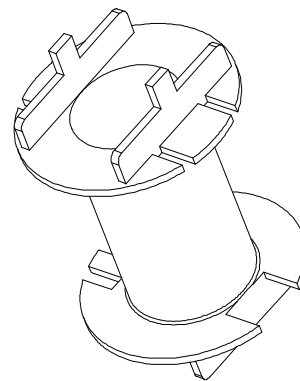
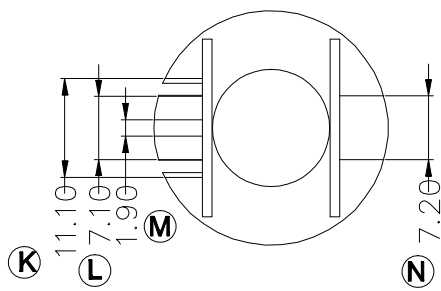
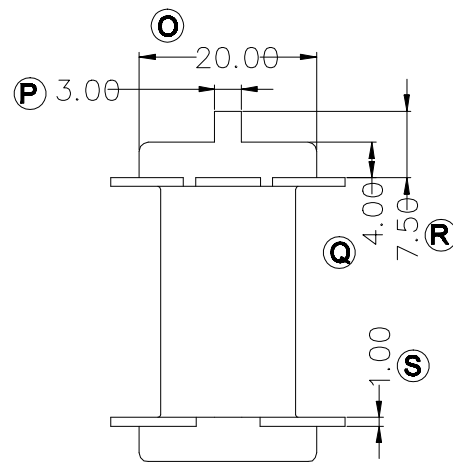
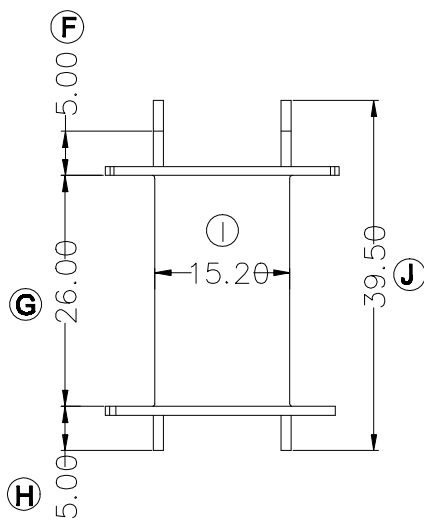
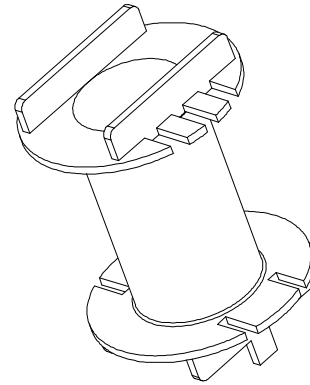
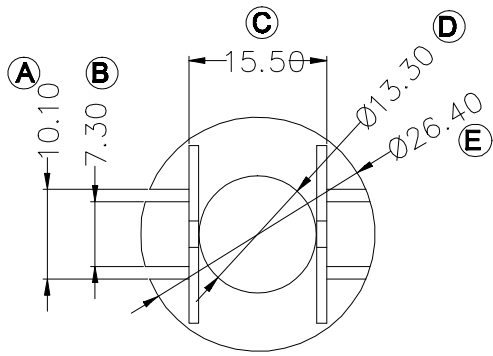


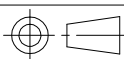
ZX-39H



| REV. | REVISIONS | REC. | DATE | REV. | REVISIONS | REC. | DATE |
|-----------------------|-----------|---------------|------|------------------|-----------|------------------------|------|
| 1 | | | | 4 | | | |
| 2 | | | | 5 | | | |
| 3 | | | | 6 | | | |
| DRAWN & DRAFTED BY | | LIU WEI QIANG | | TOLERANCES | | ANGLE: $\pm 1^\circ$ | |
| CHECKED & APPROVED BY | | ZHANG YONG | | 0 < L ≤ 4 ±0.1 | | TITLE: ETD-39 | |
| | | | | 4 < L ≤ 16 ±0.2 | | UNIT: MM | |
| | | | | 16 < L ≤ 63 ±0.3 | | BOBBIN MATERIAL: FR530 | |
| | | | | pin pitch ±0.2 | | UL REC. UL 94V-0 | |
| | | | | SCALE: | | PIN MATERIAL: | |
| | | | | DATE: 2018.12.08 | | DRAWING NO. ZX-39H | |
| | | | | | | PIN TENSION LOAD: | |
| | | | | | | REV. A01 | |



智信电子塑胶有限公司
ZHI XIN ELECTRONICS PLASTIC CO., LTD.
 TEL: 0769-86389901-2 FAX: 0769-86389903



DATE: 2018.12.08

DRAWING NO. ZX-39H

REV. A01