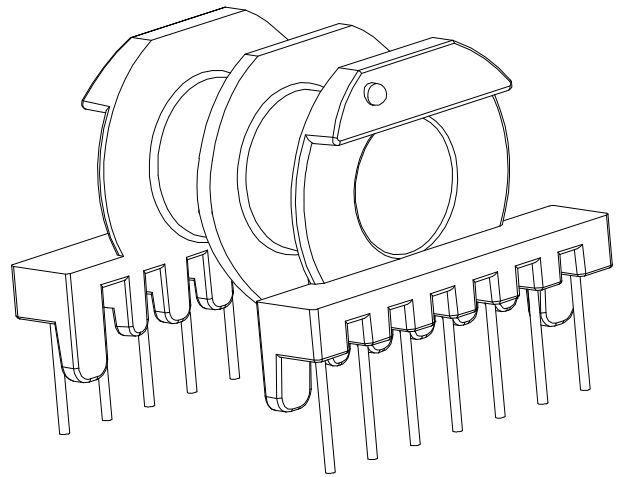
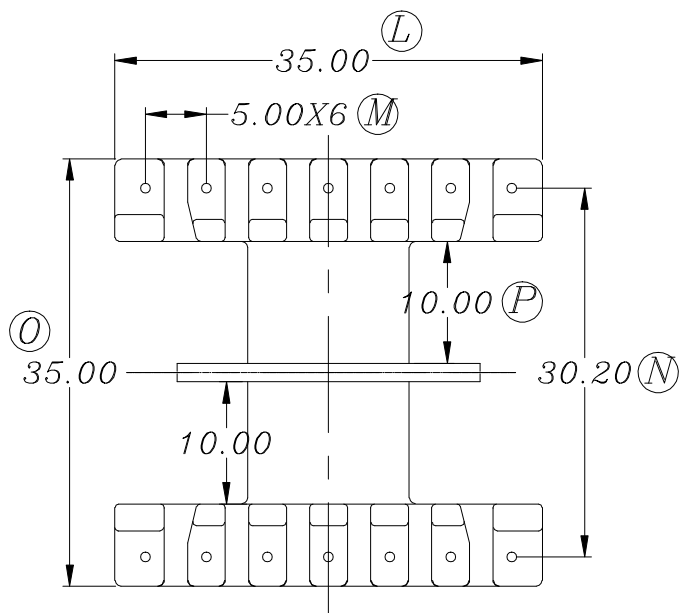
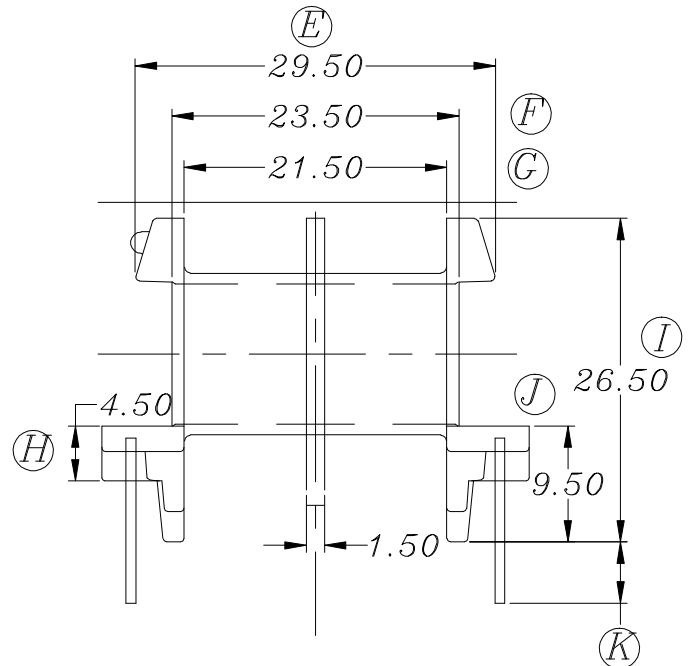
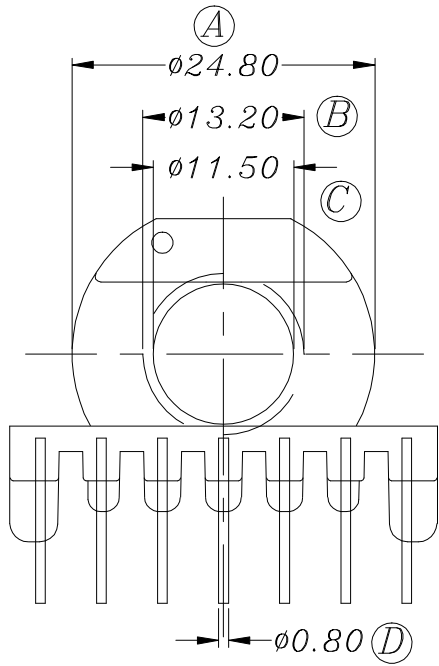


ZX-34H



REV.	REVISIONS	REC.	DATE	REV.	REVISIONS	REC.	DATE
1				4			
2				5			
3				6			
DRAWN & DRAFTED BY	LIU WEI QIANG		TOLERANCES	ANGLE:	TITLE: ETD-34(7+7P)		
CHECKED & APPROVED BY	ZHANG YONG		0<L≤4 ±0.1 4<L≤16 ±0.2 16<L≤63 ±0.3	±1°	BOBBIN MATERIAL:	PHENOLIC	UL REC. UL 94V-0
			pin pitch ±0.2	UNIT:	PIN MATERIAL:	CP WIRE	PIN TENSION LOAD: 1.2KG MIN
				MM	SCALE:	DATE: 2018.12.08	DRAWING NO. ZX-34H
智信电子塑胶有限公司 ZHI XIN ELECTRONICS PLASTIC CO., LTD. TEL:0769-86389901-2 FAX:0769-86389903						REV. A01	