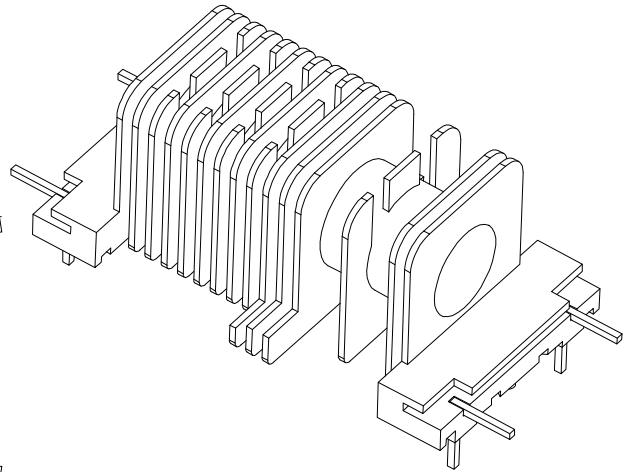
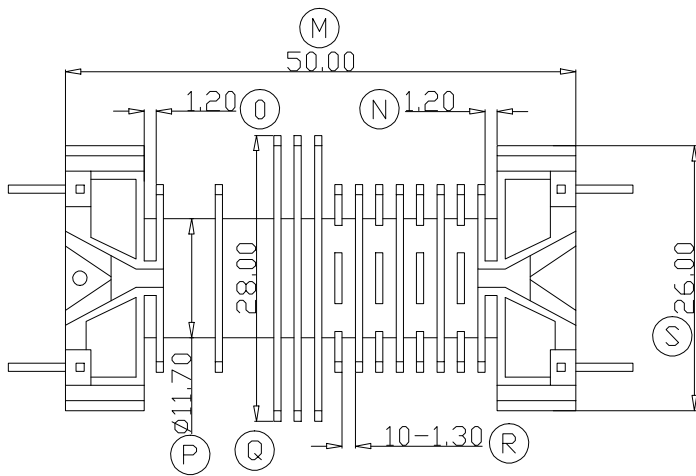
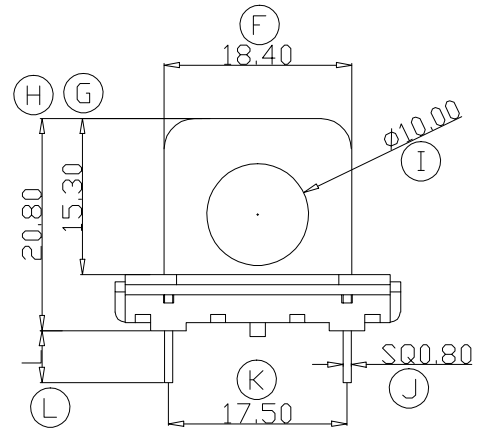
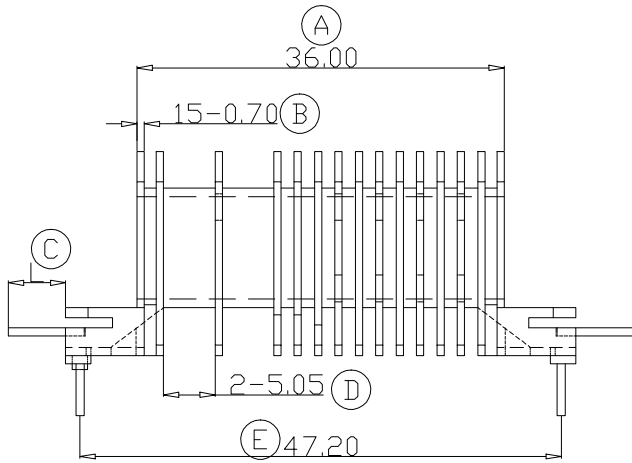


ZX-29D



REV.	REVISIONS REC.		DATE	REV.	REVISIONS REC.		DATE
1				4			
2				5			
3				6			
DRAWN & DRAFTED BY	LIU WEI QIANG	TOLERANCES		ANGLE:	TITLE: ETD-29(2+2P)14S		
CHECKED & APPROVED BY	MA BU JIAN	$0 < L \leq 4 \pm 0.1$ $4 < L \leq 16 \pm 0.2$ $16 < L \leq 63 \pm 0.3$	pin pitch ± 0.2	UNIT:	BOBBIN MATERIAL:	LCP	UL REC. UL 94V-0
				SCALE:	PIN MATERIAL:	CP WIRE	PIN TENSION LOAD: 1.2kg MIN.
					DATE:	DRAWING NO.	REV.
					2009.03.06	ZX-29D	A01



智信电子塑胶有限公司
ZHI XIN ELECTRONICS PLASTIC CO., LTD.
 TEL:0769-86389901-2 FAX:0769-86389903