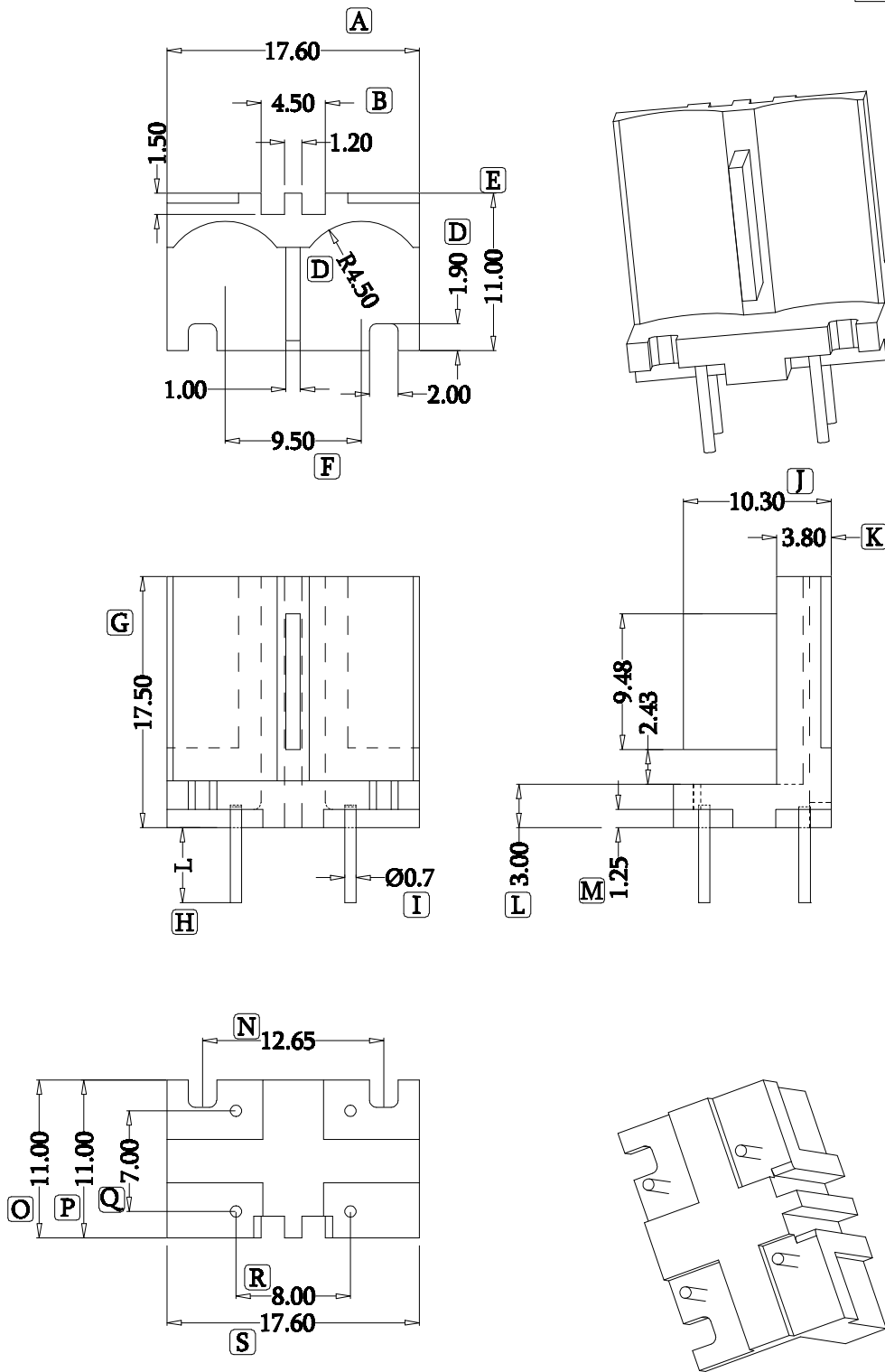


ZX-B068



REV.	REVISIONS REC.		DATE	REV.	REVISIONS REC.		DATE
1				4			
2				5			
3				6			
DRAWN & DRAFTED BY	LIU WEI QIANG	TOLERANCES		ANGLE:	TITLE: BASE(2+2P)		
CHECKED & APPROVED BY	MA BU JIAN	0 < L ≤ 4 ±0.1	pin pitch	UNIT:	BOBBIN MATERIAL:	UL REC. UL 94V-0	
		4 < L ≤ 16 ±0.2	±0.2	MM	T375HF		
		16 < L ≤ 63 ±0.3		SCALE:	PIN MATERIAL:	PIN TENSION LOAD: 1.0kg MIN.	
					CP WIRE		
智信电子塑胶有限公司 ZHI XIN ELECTRONICS PLASTIC CO., LTD. TEL:0769-86389901-2 FAX:0769-86389903				DATE: 2016.06.13	DRAWING NO. ZX-B068		REV. A01