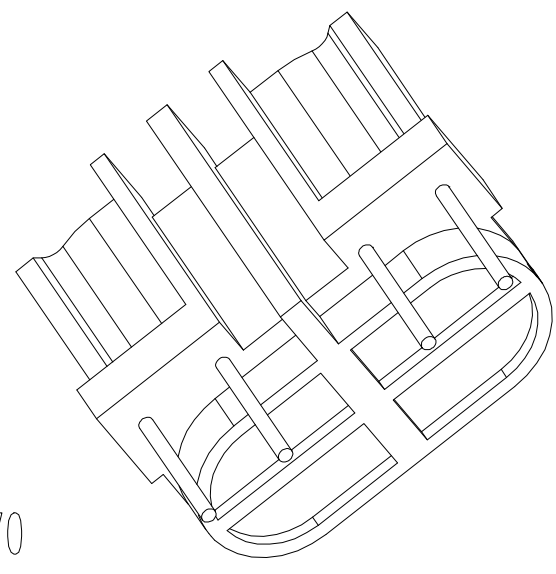
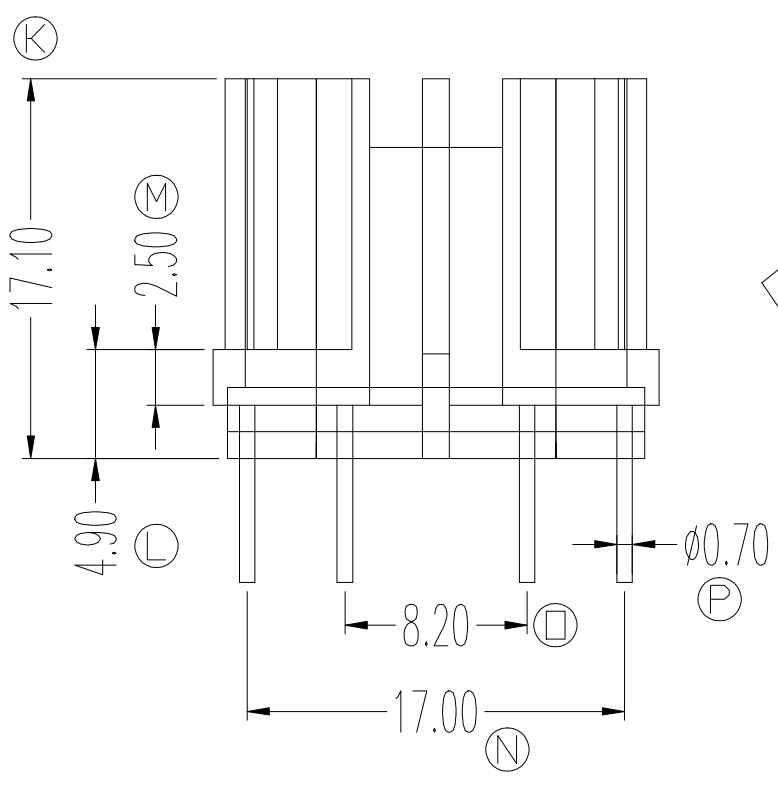
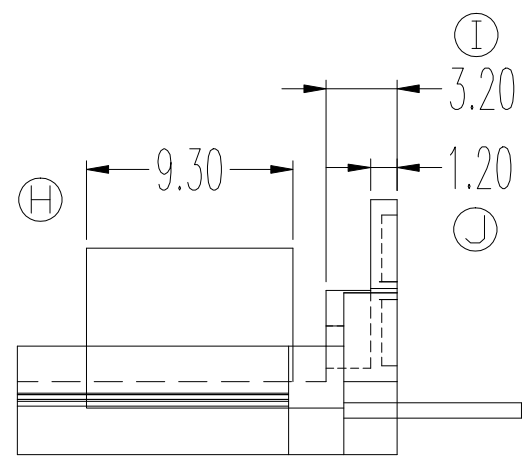
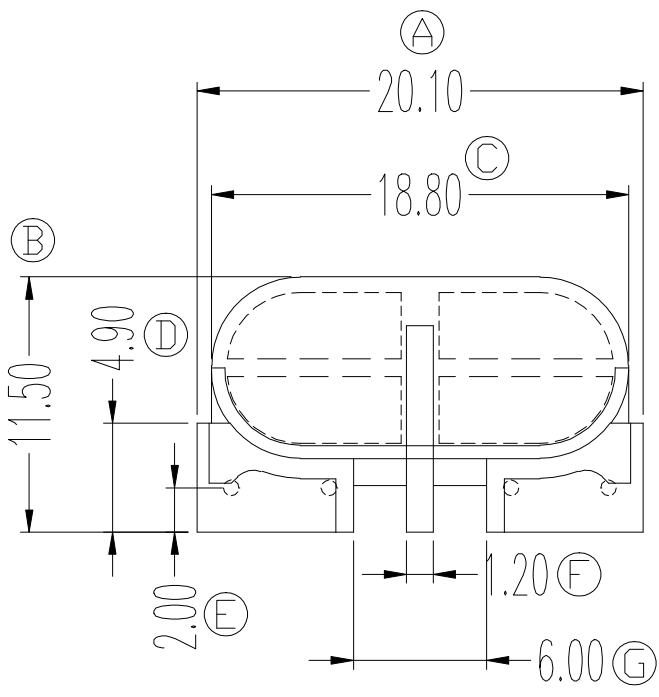


ZX-B063



REV.	REVISIONS	REC.	DATE	REV.	REVISIONS	REC.	DATE
1				4			
2				5			
3				6			
DRAWN & DRAFTED BY		LIU WEI QIANG		TOLERANCES		ANGLE: $\pm 1^\circ$	
CHECKED & APPROVED BY		ZHANG YONG		$0 < L \leq 4 \pm 0.1$ $4 < L \leq 16 \pm 0.2$ $16 < L \leq 63 \pm 0.3$		pin pitch ± 0.2 UNIT: MM SCALE:	
TITLE: FT-15 BASE(4P) BOBBIN MATERIAL: PHENOLIC PIN MATERIAL: CP WIRE				UL REC. UL 94V-0 PIN TENSION LOAD: 1.0KG MIN			
DATE: 2015.04.24				DRAWING NO. ZX-B063			
REV. A01							