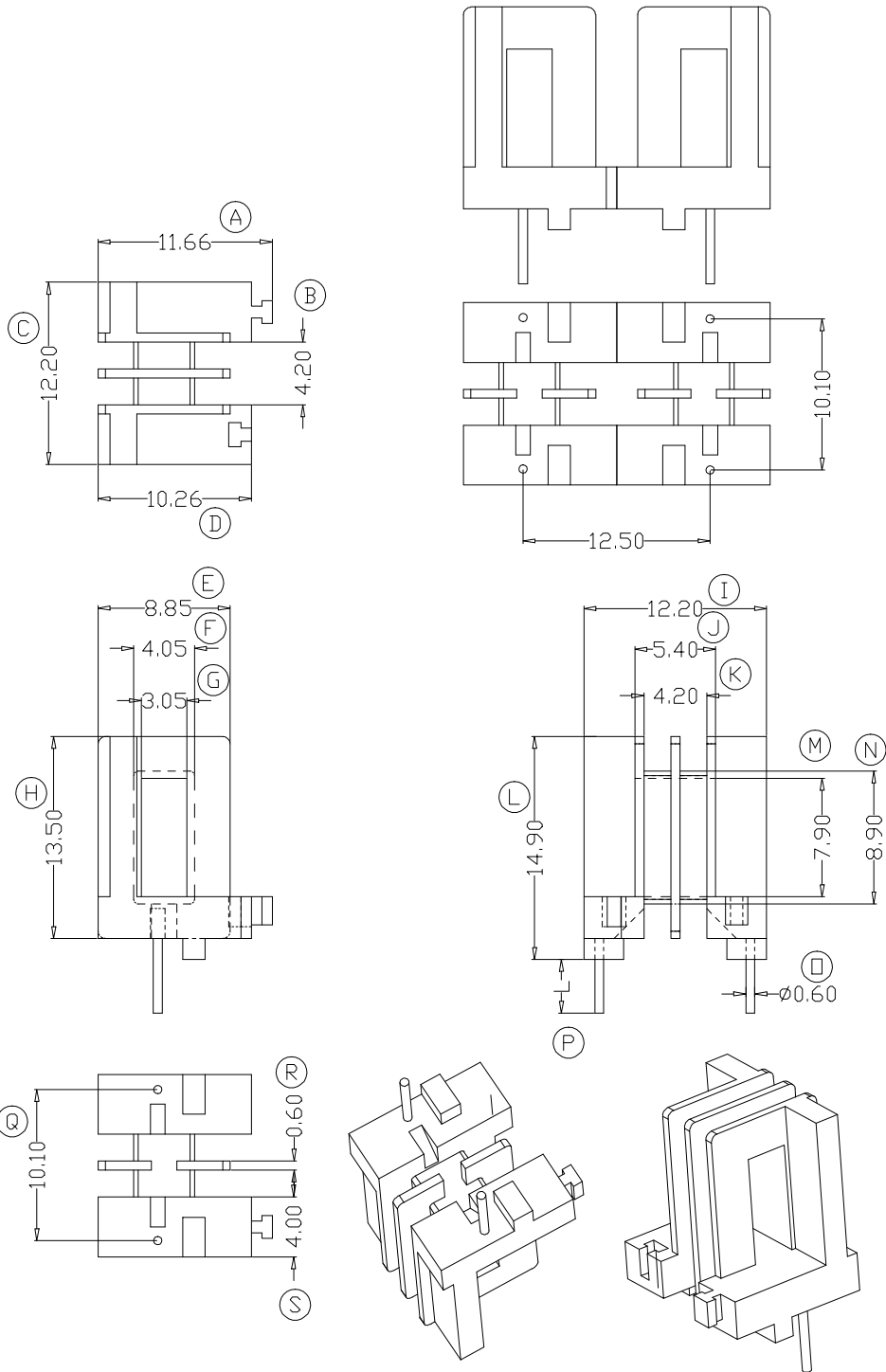


ZX-15K



REV.	REVISIONS	REC.	DATE	REV.	REVISIONS	REC.	DATE
1				4			
2				5			
3				6			
DRAWN & DRAFTED BY		LIU WEI QIANG		TOLERANCES		ANGLE: $\pm 1^\circ$	
CHECKED & APPROVED BY		MA BU JIAN		pin pitch		TITLE: FT-15	
				0 < L ≤ 4 ±0.1		BOBBIN MATERIAL: PM-9630	
				4 < L ≤ 16 ±0.2		UL REC. UL 94V-0	
				16 < L ≤ 63 ±0.3		PIN MATERIAL: CP WIRE	
				UNIT: MM		PIN TENSION LOAD: 0.9KG MIN	
				SCALE:		DATE: 2016.02.23	
				DRAWING NO. ZX-15K		REV. A01	