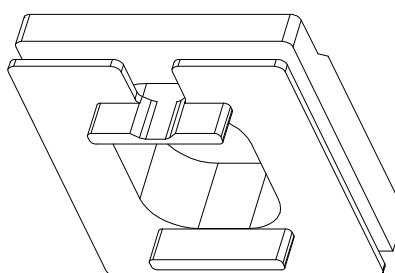
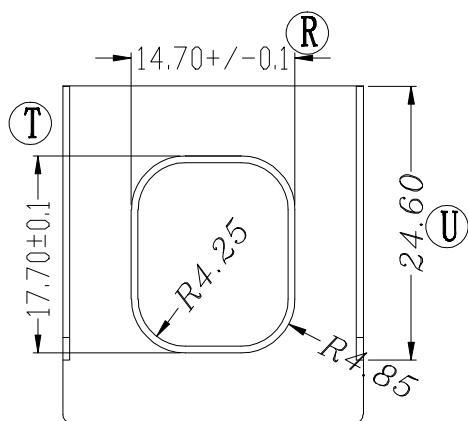
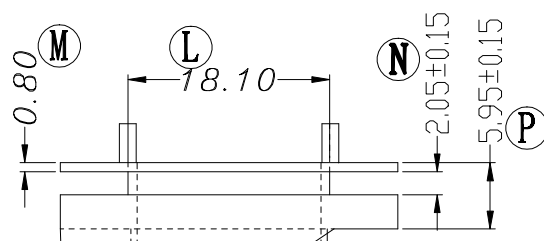
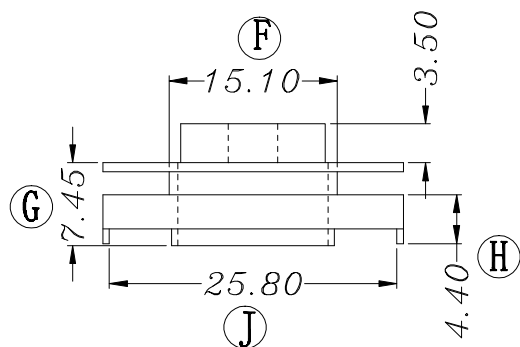
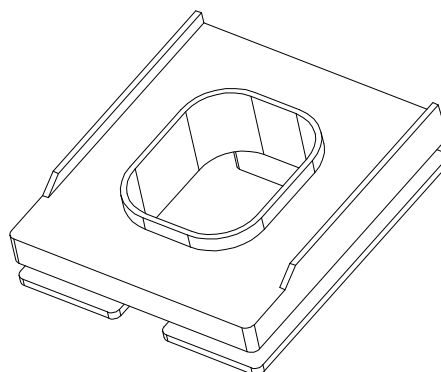
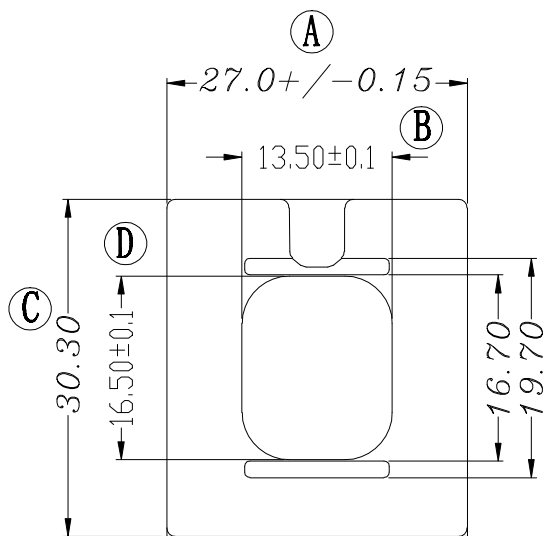


ZX-40L



REV.	REVISIONS	REC.	DATE	REV.	REVISIONS	REC.	DATE
1				4			
2				5			
3				6			

DRAWN & DRAFTED BY LIU WEI QIANG	TOLERANCES		ANGLE:	TITLE: BASE			
	0 < L ≤ 4 ±0.1	pin pitch ±0.2	±1°	BOBBIN MATERIAL: PHENOLIC		UL REC. UL 94V-0	
CHECKED & APPROVED BY MA BU JIAN	4 < L ≤ 16 ±0.2		UNIT:	MM	PIN MATERIAL:		PIN TENSION LOAD:
SCALE:			DATE: 2013.05.21		DRAWING NO. ZX-40L		REV. A01



智信电子塑胶有限公司

ZHI XIN ELECTRONICS PLASTIC CO., LTD.
TEL:0769-86389901-2 FAX:0769-86389903

