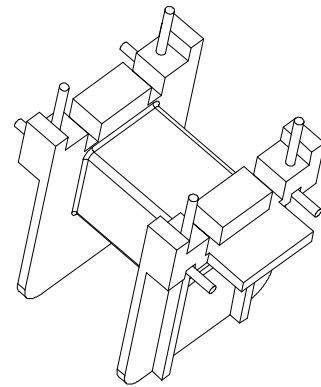
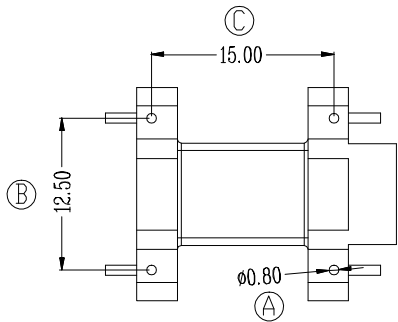
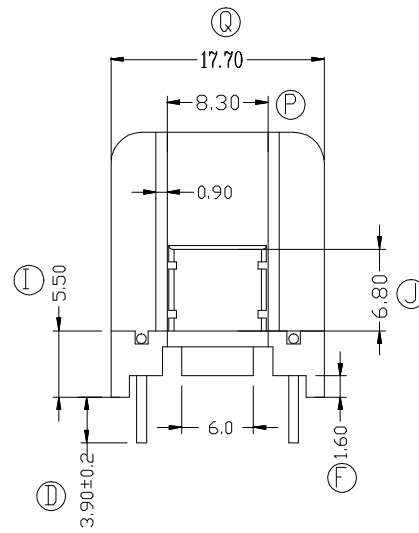
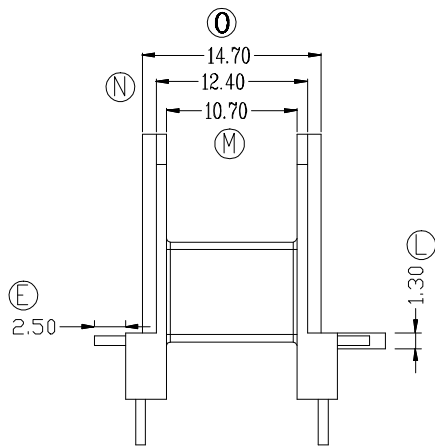
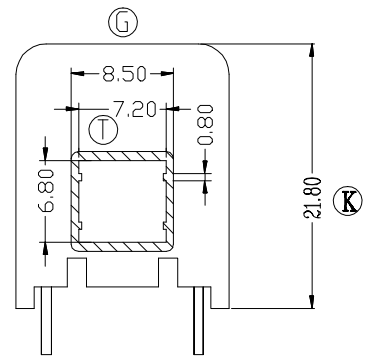
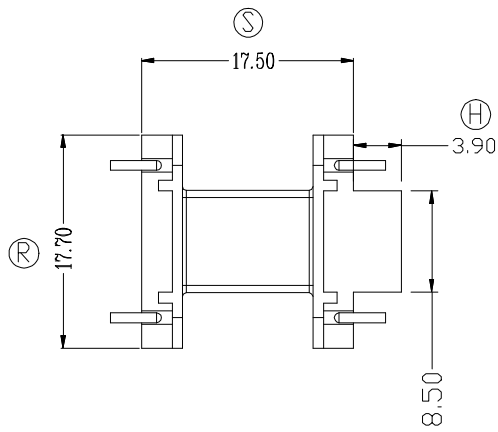


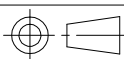
ZX-29G



REV.	REVISIONS	REC.	DATE	REV.	REVISIONS	REC.	DATE		
1				4					
2				5					
3				6					
DRAWN & DRAFTED BY		LIU WEI QIANG		TOLERANCES		ANGLE: ±1°		TITLE: UI-2900(2+2P)	
CHECKED & APPROVED BY		ZHANG YONG		0<L≤4 ±0.1 4<L≤16 ±0.2 16<L≤63 ±0.3		pin pitch ±0.2		BOBBIN MATERIAL: PLASTIC	
				UNIT: MM		SCALE:		UL REC. UL 94V-0	
								PIN MATERIAL: CP WIRE	
								PIN TENSION LOAD: 1.0KG MIN	
								DATE: 2018.12.06	
								DRAWING NO. ZX-29G	
								REV. A01	



智信电子塑胶有限公司
ZHI XIN ELECTRONICS PLASTIC CO., LTD.
TEL:0769-86389901-2 FAX:0769-86389903



DATE: 2018.12.06

DRAWING NO. ZX-29G

REV. A01