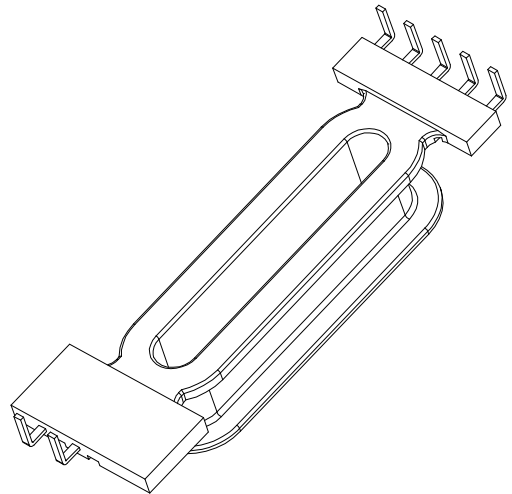
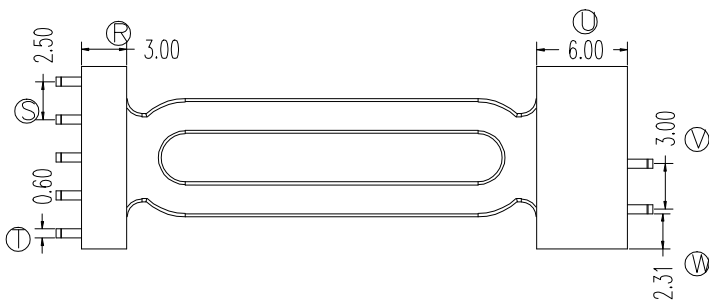
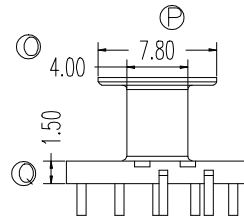
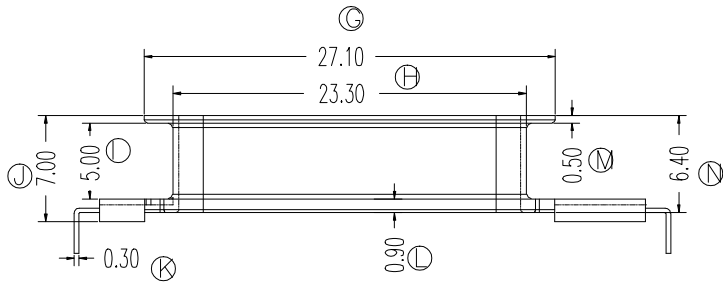
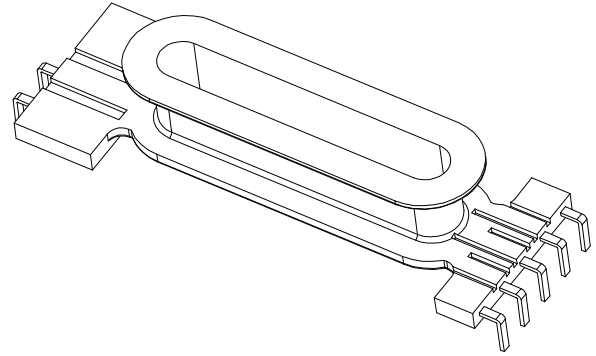
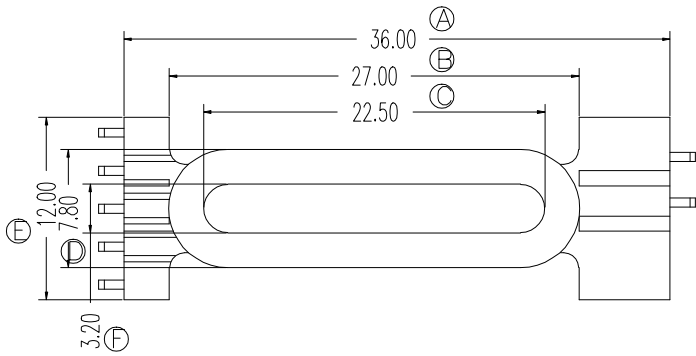

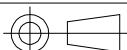


# ZX-25AI



| REV.   | REVISIONS REC. |   | DATE | REV.                        | REVISIONS REC. |                           | DATE |
|--|----------------|---|------|-----------------------------|----------------|---------------------------|------|
| 1  |                |   |      | 4                           |                |                           |      |
| 2  |                |   |      | 5                           |                |                           |      |
| 3  |                |   |      | 6                           |                |                           |      |
| DRAWN & DRAFTED BY   |                | LIU WEI QIANG   |      | TOLERANCES                  |                | ANGLE: $\pm 1^\circ$      |      |
| CHECKED & APPROVED BY  |                | MA BU JIAN  |      | pin pitch $\pm 0.2$         |                | TITLE: EDR-25(5+2P)       |      |
|  |                | 0 < L ≤ 4 ±0.1  |      | UNIT: MM                    |                | BOBBIN MATERIAL: PHENOLIC |      |
|  |                | 4 < L ≤ 16 ±0.2   |      | SCALE:                      |                | UL REC. UL 94V-0          |      |
|  |                | 16 < L ≤ 63 ±0.3  |      | DATE: 2009.09.12            |                | PIN MATERIAL: CP WIRE     |      |
|  <b>智信电子塑胶有限公司</b><br>ZHI XIN ELECTRONICS PLASTIC CO., LTD.<br>TEL:0769-86389901-2 FAX:0769-86389903 |                |  DRAWING NO. ZX-25AI |      | PIN TENSION LOAD: 0.8KG MIN |                | REV. A01                  |      |