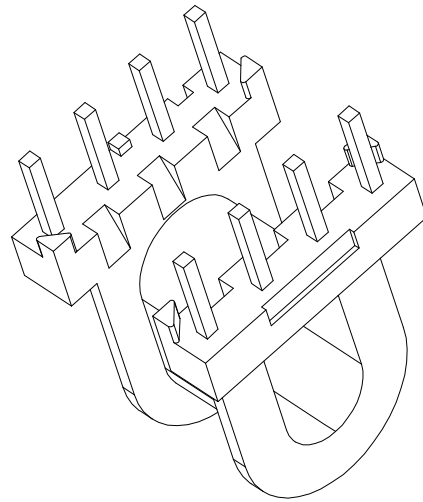
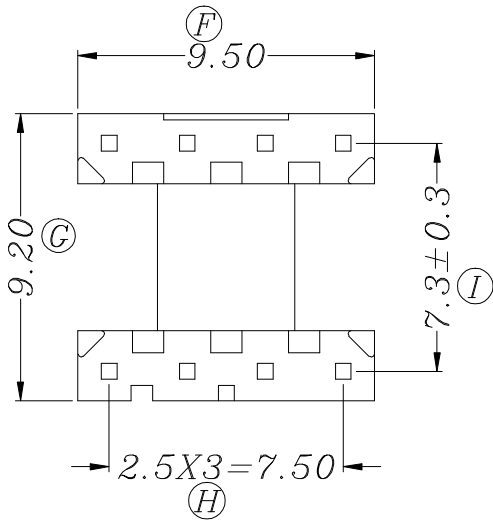
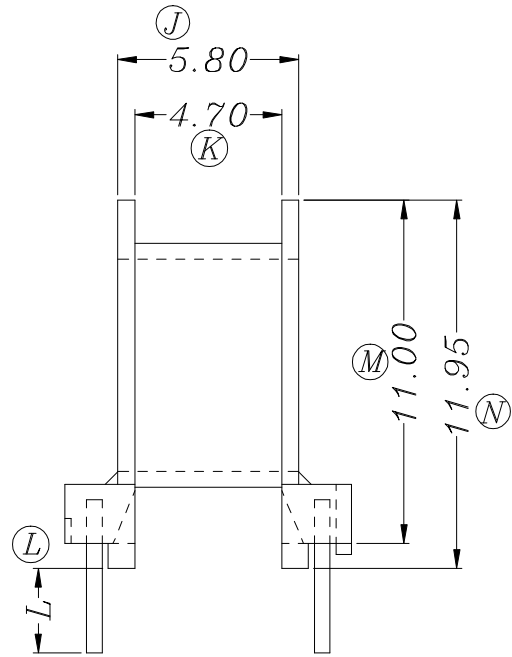
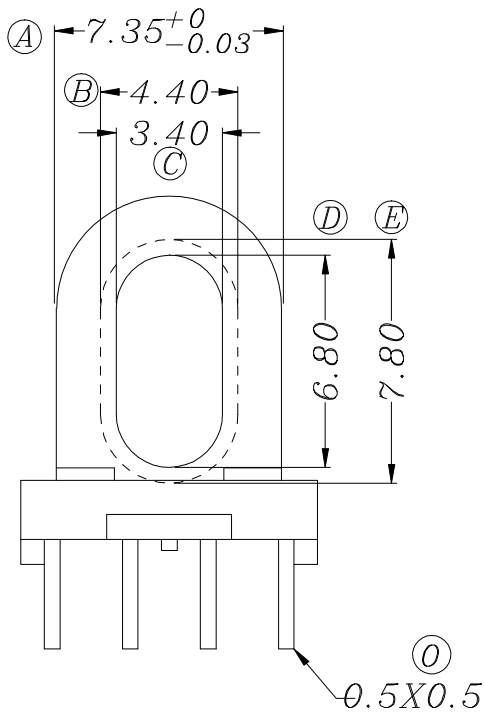


ZX-9.5A

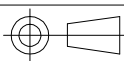


REV.	REVISIONS REC.		DATE	REV.	REVISIONS REC.		DATE
1				4			
2				5			
3				6			
DRAWN & DRAFTED BY		LIU WEI QIANG	TOLERANCES		ANGLE:	TITLE:	
CHECKED & APPROVED BY		MA BU JIAN	0<L≤4 ±0.1	pin pitch	±1°	EOP-9.5(4+4P)	
			4<L≤16 ±0.2	±0.2	UNIT:	BOBBIN MATERIAL:	UL REC.
			16<L≤63 ±0.3		MM	PHENOLIC	UL 94V-0
					SCALE:	PIN MATERIAL:	PIN TENSION LOAD:
						CP WIRE	0.8KG MIN
					DATE:	DRAWING NO.	REV.
					2007.05.15	ZX-9.5A	A01



智信电子塑胶有限公司

ZHI XIN ELECTRONICS PLASTIC CO., LTD.  
TEL:0769-86389901-2 FAX:0769-86389903



DATE: 2007.05.15

DRAWING NO.

ZX-9.5A

REV. A01