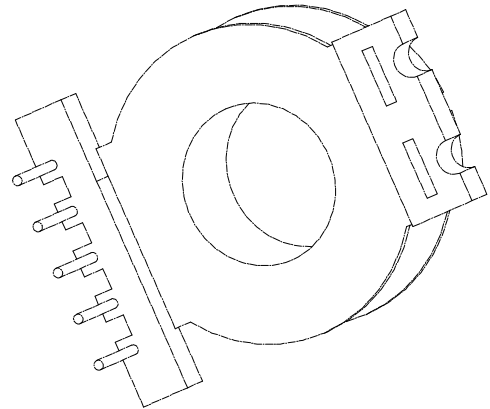
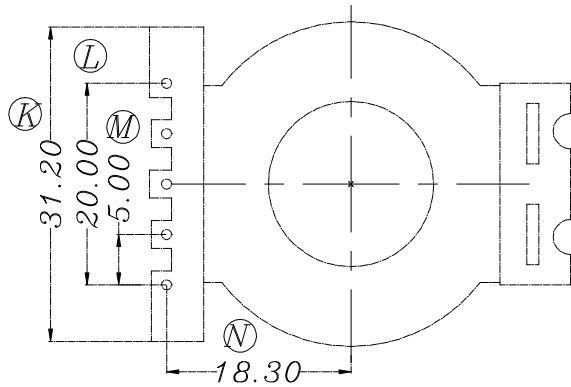
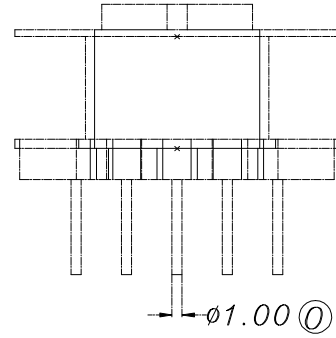
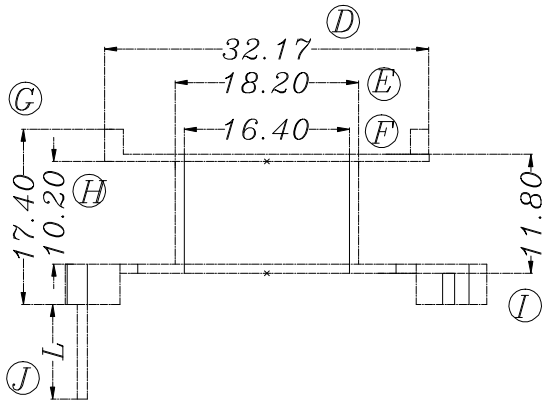
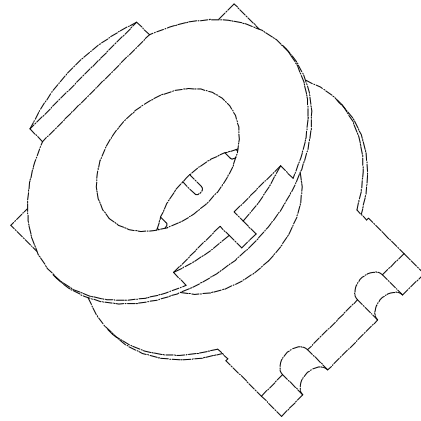
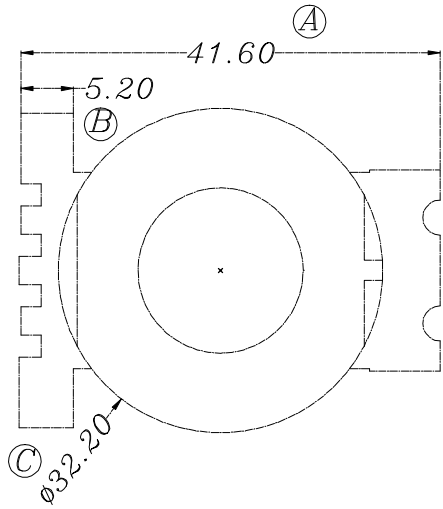


ZX-40R1



REV.	REVISIONS	REC.	DATE	REV.	REVISIONS	REC.	DATE
1				4			
2				5			
3				6			

DRAWN & DRAFTED BY	LIU WEI QIANG	TOLERANCES		ANGLE:	TITLE: POT-40(5P)		
	CHECKED & APPROVED BY	ZHANG YONG	0<L≤4 ±0.1	pin pitch ±0.2	±1°	BOBBIN MATERIAL:	UL REC. UL 94V-0
		4<L≤16 ±0.2	UNIT:		MM	PIN MATERIAL:	CP WIRE
		16<L≤63 ±0.3		SCALE:	DATE: 2018.12.08	DRAWING NO. ZX-40R1	REV. A01
<b>智信电子塑胶有限公司</b> ZHI XIN ELECTRONICS PLASTIC CO., LTD. TEL:0769-86389901-2 FAX:0769-86389903						PIN TENSION LOAD: 1.5KG MIN	