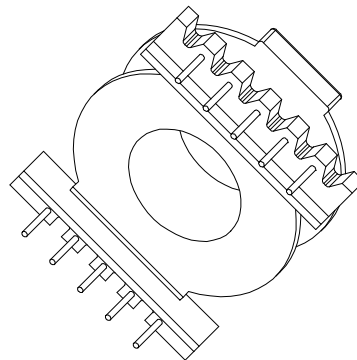
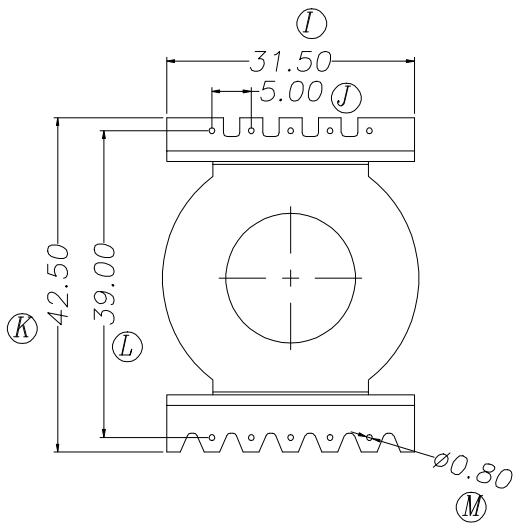
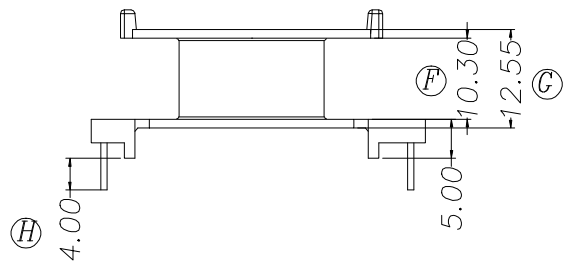
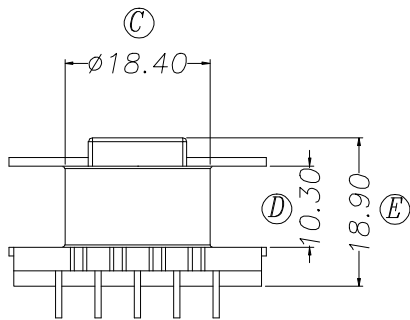
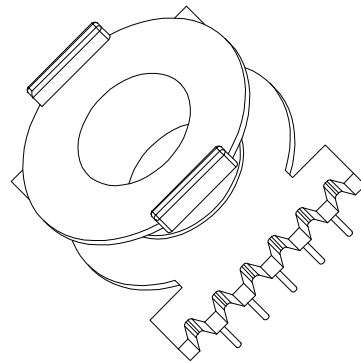
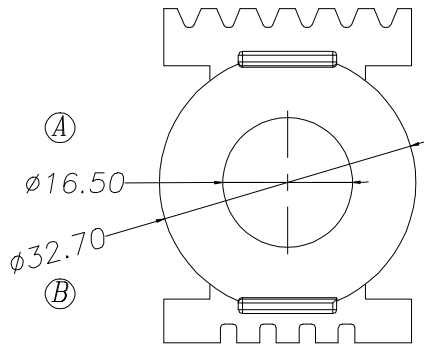


ZX-40F2

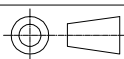


REV.	REVISIONS		REC.			
1					4	
2					5	
3					6	
DRAWN & DRAFTED BY	LIU WEI QIANG		TOLERANCES		ANGLE:	TITLE:
CHECKED & APPROVED BY	LI QI YI		$0 < L \leq 4 \pm 0.1$ $4 < L \leq 16 \pm 0.2$ $16 < L \leq 63 \pm 0.3$	pin pitch $\pm 0.2$	$\pm 1^\circ$	POT-40(5+5P)
					UNIT:	BOBBIN MATERIAL:
					MM	PHENOLIC
					SCALE:	PIN MATERIAL:
						CP WIRE
					DATE:	DRAWING NO.
					2013.03.15	ZX-40F2
						REV. A01



智信电子塑胶有限公司

ZHI XIN ELECTRONICS PLASTIC CO., LTD.  
 TEL:0769-86389901-2 FAX:0769-86389903



DATE: 2013.03.15

DRAWING NO. ZX-40F2

REV. A01