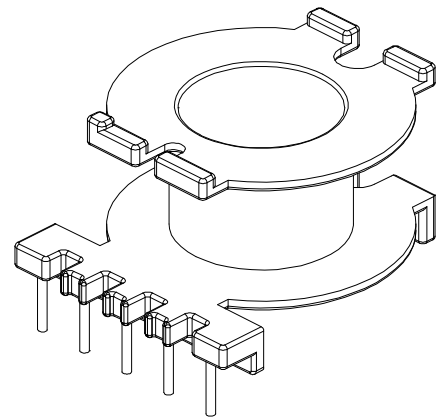
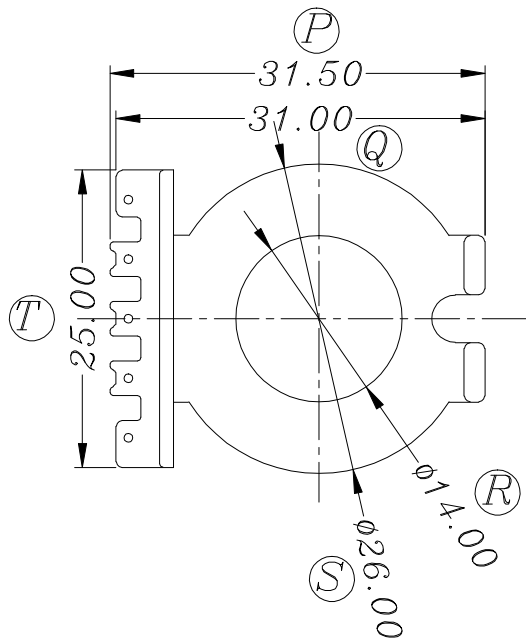
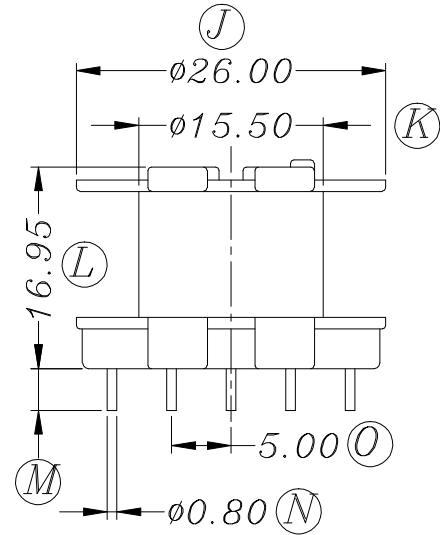
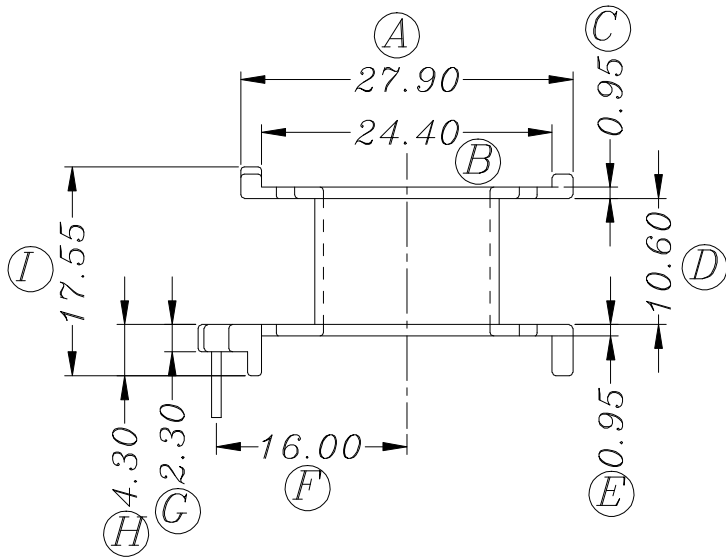


# ZX-33I



| REV.                  | REVISIONS REC. |               | DATE | REV.  | REVISIONS REC. |                           | DATE |                              |  |
|-----------------------|----------------|---------------|------|---|----------------|---------------------------|------|------------------------------|--|
| 1                     |                |               |      | 4   |                |                           |      |                              |  |
| 2                     |                |               |      | 5   |                |                           |      |                              |  |
| 3                     |                |               |      | 6   |                |                           |      |                              |  |
| DRAWN & DRAFTED BY    |                | LIU WEI QIANG |      | TOLERANCES  |                | ANGLE: $\pm 1^\circ$      |      | TITLE: <b>POT-33 (5P)</b>    |  |
| CHECKED & APPROVED BY |                | MA BU JIAN    |      | $0 < L \leq 4 \pm 0.1$<br>$4 < L \leq 16 \pm 0.2$<br>$16 < L \leq 63 \pm 0.3$ |                | pin pitch $\pm 0.2$       |      | UNIT: MM                     |  |
|                       |                |               |      | SCALE:  |                | BOBBIN MATERIAL: PHENOLIC |      | UL REC. UL 94V-0             |  |
|                       |                |               |      |   |                | PIN MATERIAL: CP WIRE     |      | PIN TENSION LOAD: 1.5kg MIN. |  |
|                       |                |               |      |   |                | DATE: 2009.04.14          |      | DRAWING NO. ZX-33I           |  |
|                       |                |               |      |   |                |                           |      | REV. A01                     |  |



**智信电子塑胶有限公司**  
**ZHI XIN ELECTRONICS PLASTIC CO., LTD.**  
 TEL: 0769-86389901-2 FAX: 0769-86389903