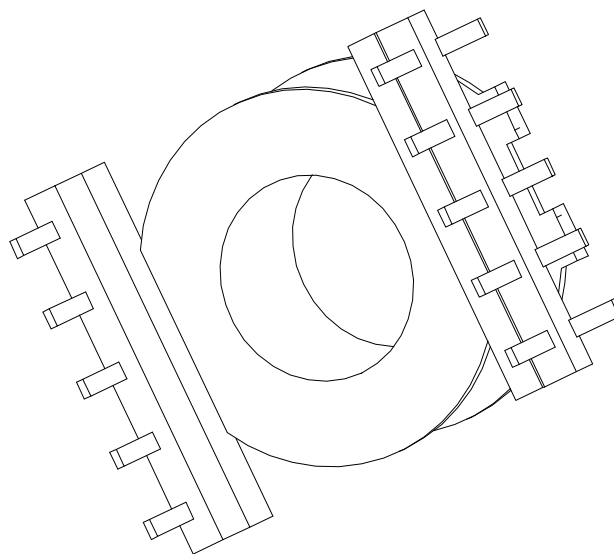
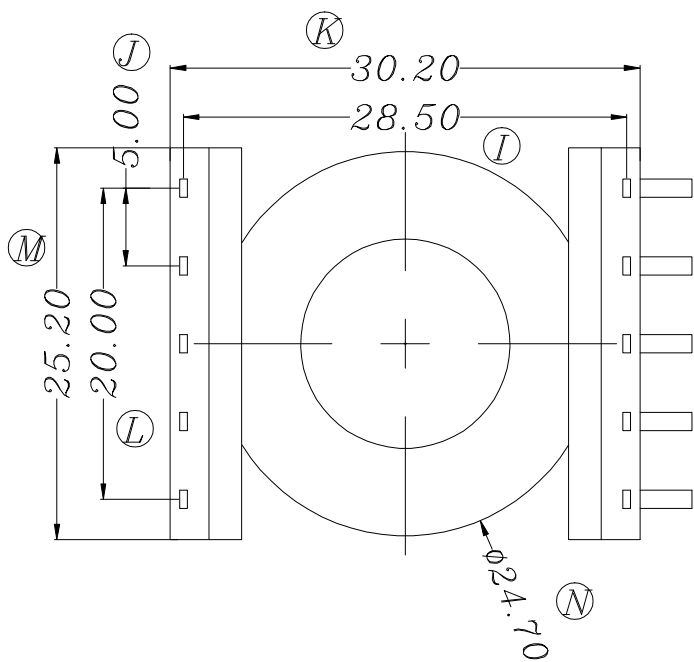
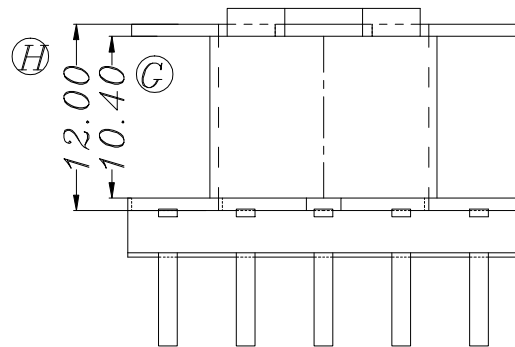
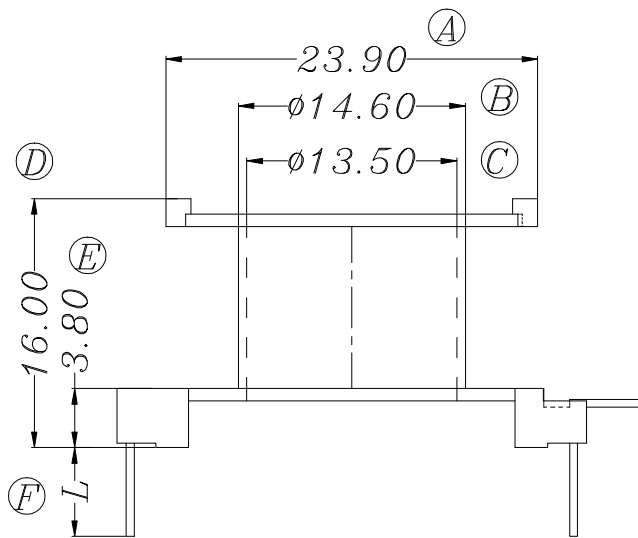


ZX-30T



REV.	REVISIONS REC.		DATE	REV.	REVISIONS REC.		DATE
1				4			
2				5			
3				6			
DRAWN & DRAFTED BY	LIU WEI QIANG	TOLERANCES		ANGLE:	TITLE: POT-30(5+5P)		
CHECKED & APPROVED BY	ZHANG YONG	0<L≤4 ±0.1	pin pitch	±1°	BOBBIN MATERIAL:	PHENOLIC	UL REC. UL 94V-0
		4<L≤16 ±0.2	±0.2	UNIT:	PIN MATERIAL:	CP WIRE	PIN TENSION LOAD: 1.0KG MIN
		16<L≤63 ±0.3		MM	SCALE:	DATE: 2018.12.08	DRAWING NO. ZX-30T
智信电子塑胶有限公司 ZHI XIN ELECTRONICS PLASTIC CO., LTD. TEL:0769-86389901-2 FAX:0769-86389903						REV. A01	