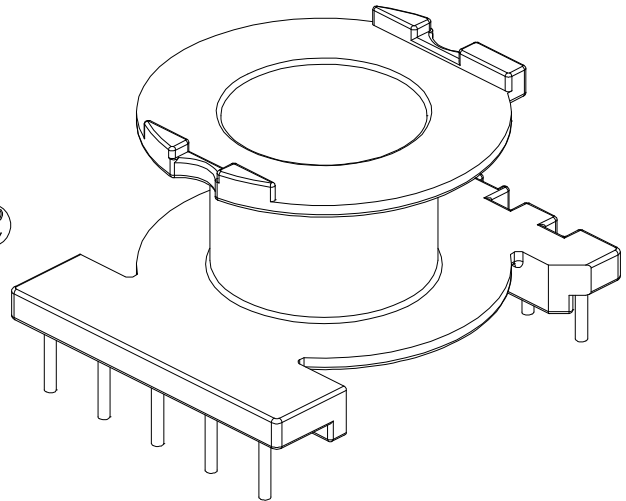
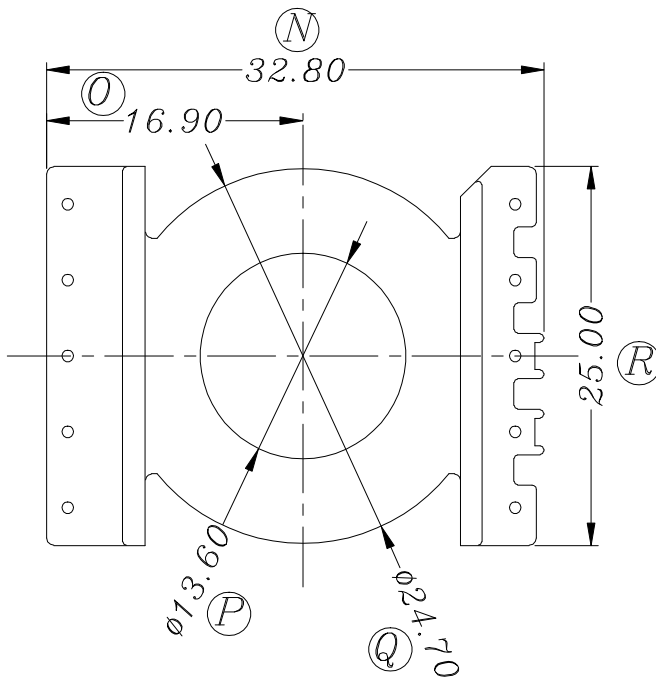
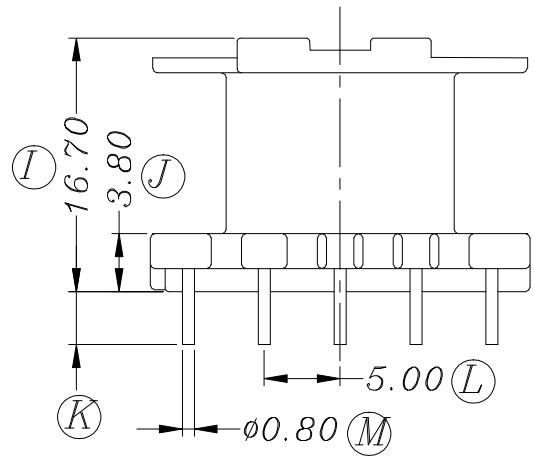
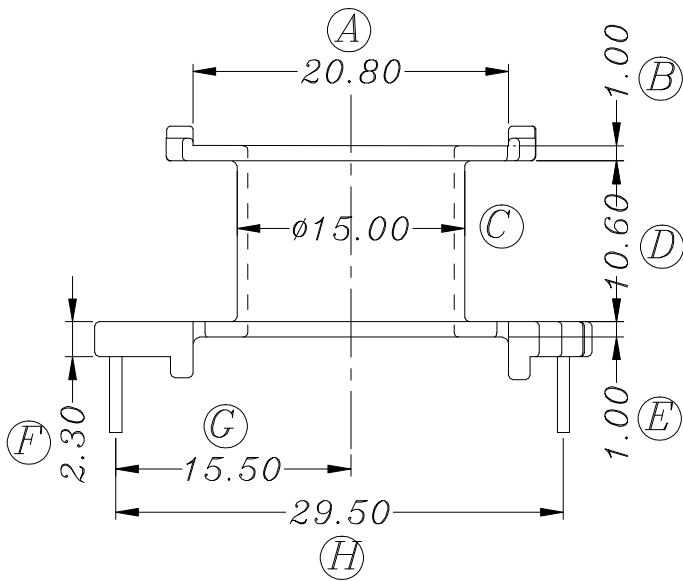


ZX-30N

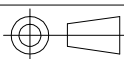


| REV. | REVISIONS REC. | | DATE | REV. | REVISIONS REC. | | DATE |
|-----------------------|----------------|-----------------------|------|---------------------|----------------|----------------------------------|------|
| 1 | | | | 4 | | | |
| 2 | | | | 5 | | | |
| 3 | | | | 6 | | | |
| DRAWN & DRAFTED BY | | LIU WEI QIANG | | TOLERANCES | | ANGLE: $\pm 1^\circ$ | |
| CHECKED & APPROVED BY | | MA BU JIAN | | pin pitch ± 0.2 | | TITLE: POT-30 (5+5P) | |
| | | 0 < L ≤ 4 ± 0.1 | | UNIT: MM | | BOBBIN MATERIAL: PHENOLIC | |
| | | 4 < L ≤ 16 ± 0.2 | | SCALE: | | UL REC. UL 94V-0 | |
| | | 16 < L ≤ 63 ± 0.3 | | DATE: 2005.07.08 | | PIN MATERIAL: CP WIRE | |
| | | | | DRAWING NO. ZX-30N | | PIN TENSION LOAD: 1.5KG MIN | |
| | | | | REV. A01 | | | |



智信电子塑胶有限公司

ZHI XIN ELECTRONICS PLASTIC CO., LTD.
TEL: 0769-86389901-2 FAX: 0769-86389903



DATE: 2005.07.08

DRAWING NO. ZX-30N

REV. A01