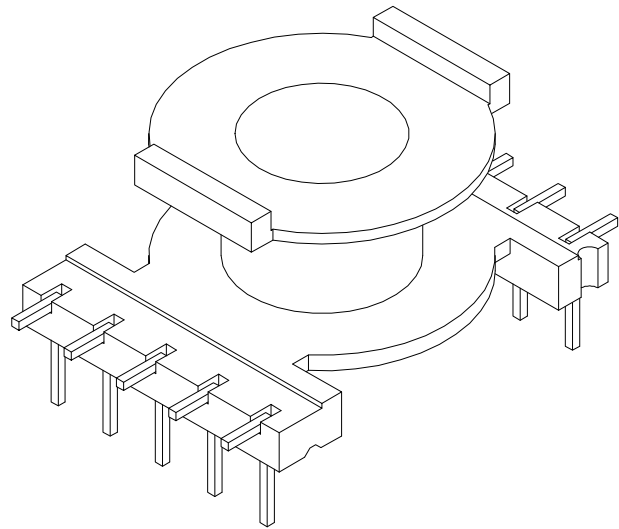
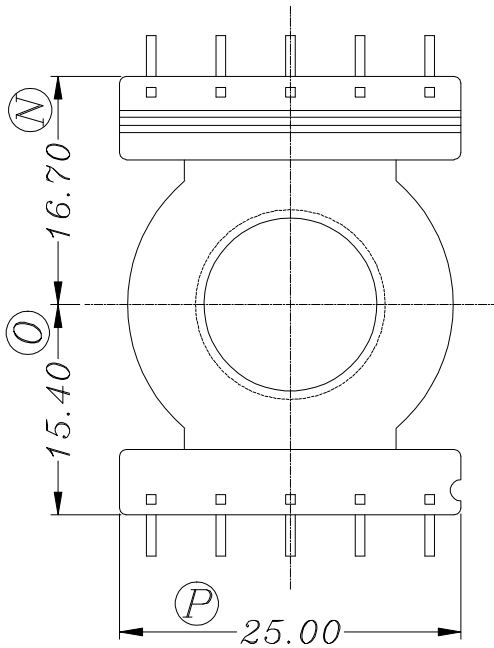
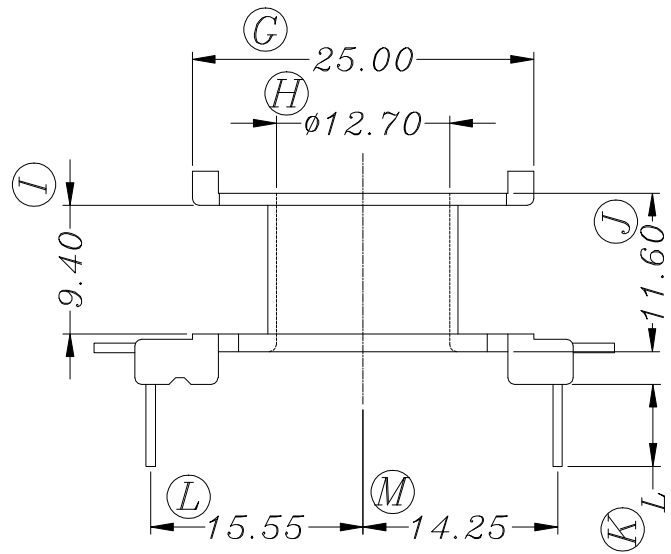
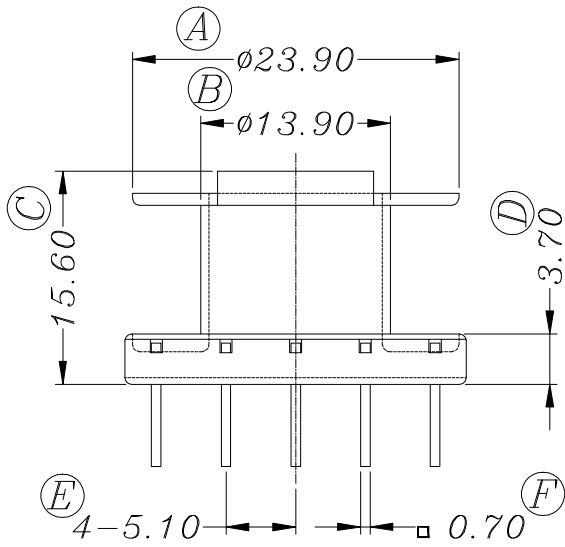


ZX-30K

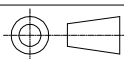


REV.	REVISIONS REC.		DATE	REV.	REVISIONS REC.		DATE
1				4			
2				5			
3				6			
DRAWN & DRAFTED BY		LIU WEI QIANG	TOLERANCES		ANGLE: $\pm 1^\circ$		TITLE: POT-30(5+5P)
CHECKED & APPROVED BY		MA BU JIAN	$0 < L \leq 4 \pm 0.1$ $4 < L \leq 16 \pm 0.2$ $16 < L \leq 63 \pm 0.3$		UNIT: MM		BOBBIN MATERIAL: PHENOLIC
			pin pitch ± 0.2				UL REC. UL 94V-0
					SCALE:		PIN MATERIAL: CP WIRE
							PIN TENSION LOAD: 1.0KG MIN
					DATE: 2007.06.05		DRAWING NO. ZX-30K
							REV. A01



智信电子塑胶有限公司

ZHI XIN ELECTRONICS PLASTIC CO., LTD.
 TEL: 0769-86389901-2 FAX: 0769-86389903



DATE: 2007.06.05

DRAWING NO. ZX-30K

REV. A01